

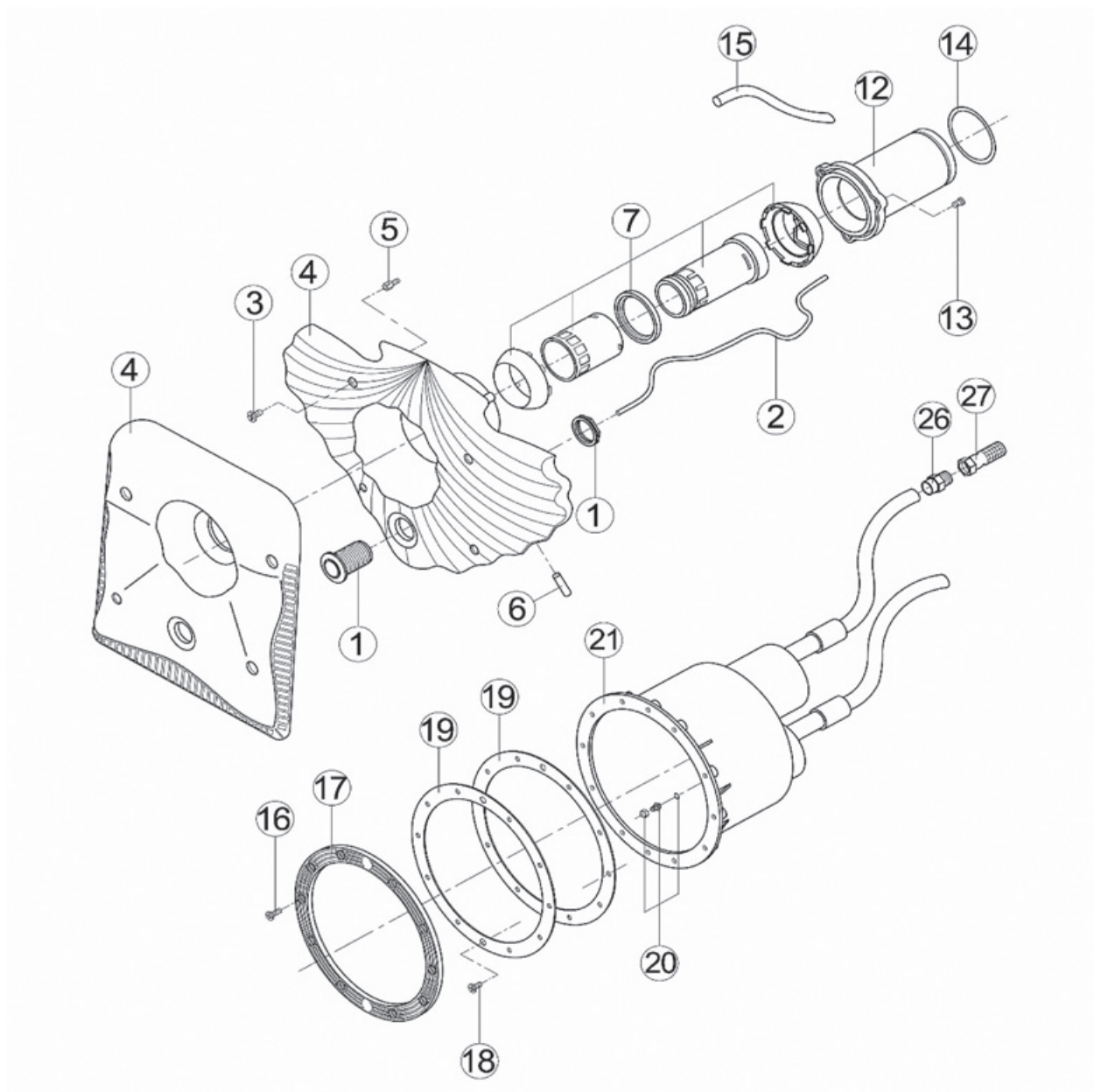
Material vaso piscina

White goods / Pièces à sceller

NATACIÓN CONTRACORRIENTE / MODELOS SENA - CALIPSO

UP STREAM SWIMMING / SENA - CALIPSO MODELS

NAGE À CONTRE COURANT / MODÈLES SENA - CALIPSO



| Nº | Código Code Item nr. | Referencia Référence Part no. | Descripción / Description / Description | Uds. embalaje Packaging qty. Qté. Emballage |
|---------|----------------------------|-------------------------------------|--|---|
| 1 | 500620000100 | RUSS0001.00R | Kit pulsador • Push button kit • Kit bouton-poussoir | 1 |
| 2 | 500620000200 | RUSS0002.00R | Tubo neumática • Pneumatic pipe • Tube pneumatique | 1 |
| 3 | 500620035100 | - | Kit tornillería • Hardware kit • Kit visserie | 4 |
| 5 | | | | 4 |
| 13 | | | | 3 |
| 16 | | | | 6 |
| 18 | | | | 2 |
| 4 | 500620000400 | RUSS0004.00R | Frontal SENA • Front piece SENA • Façade SENA | 1 |
| 4 | 500622000401 | RUSS0004.01R | Frontal CALIPSO • Front piece CALIPSO • Façade CALIPSO | 1 |
| 6 | 500620000600 | RUSS0006.00R | Canula frontal • Front nozzle • Jet frontal | 1 |
| 7 | 500620000700 | RUSS0007.00R | Kit boquilla impulsión • Counterflow nozzle kit • Kit buse NCC | 1 |
| 12 + 14 | 500620121400 | RUSS1214.00R | Kit portaboquilla • Nozzle seating kit • Kit support de buse NCC | 1 |
| 15 | 500620001500 | RUSS0015.00R | Tubo aire • Air pipe • Tube d'air | 1 |
| 17 + 19 | 500620171900 | RUSS1719.00R | Kit juntas liner • Liner gasket kit • Kit joints liner | 1 |
| 20 | 500620002000 | RUSS0020.00R | Kit pasacable • Cable grommet kit • Kit passe-câble | 1 |
| 21 | 500620002100 | RUSS0021.00R | Nicho para hormigón • Housing for concrete • Niche pour béton | 1 |
| 21 | 500620002101 | RUSS0021.01R | Nicho liner • Housing for liner • Niche pour liner | 1 |
| 26 + 27 | 500620262700 | RUSS2627.00R | Kit válvula retención • Non-return valve • Clapet de non-retour | 1 |

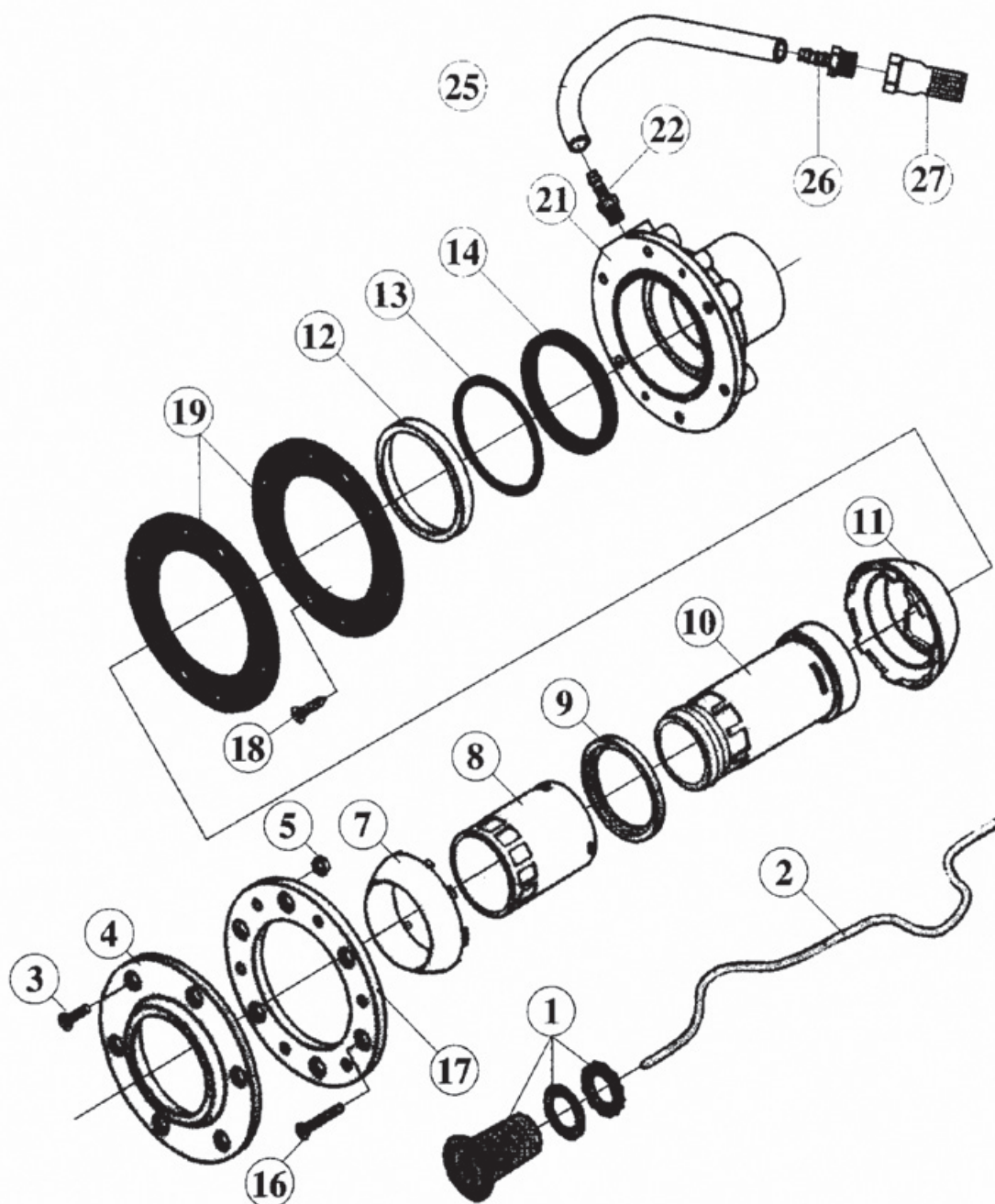
Material vaso piscina

White goods / Pièces à sceller

NATACIÓN CONTRACORRIENTE / MODELOS BJCH - BJCP - BJCL

UP STREAM SWIMMING / BJCH - BJCP - BJCL MODELS

NAGE À CONTRE COURANT / MODÈLES BJCH - BJCP - BJCL



| Nº | Código Code Item nr. | Referencia Référence Part no. | Descripción / Description / Description | Uds. embalaje Packaging qty. Qté. Emballage |
|------------------------|----------------------------|-------------------------------------|--|---|
| 1 | 500620000100 | RUSS0001.00R | Pulsador, junta y tuerca • Push button, seal and nut • Bouton-poussoir, joint et écrou | 1 |
| 2 | 500620000200 | RUSS0002.00R | Tubo flexible (neumático) • Flexible pipe (pneumatic) • Flexible (pneumatique) | 1 |
| 7 + 8 + 9 + 10 + 11 | 500620000700 | RUSS0007.00R | Kit boquilla impulsión • Counterflow nozzle kit • Kit buse NCC | 1 |
| 12+13+14 | 500626000800 | RUSS0008.00R | Conjunto apoyo boquilla • Nozzle seal assembly • Kit support buse | 1 + 3 + 1 |
| 26+27 | 500620262700 | RUSS2627.00R | Kit válvula retención • Non-return valve kit • Clapet anti-retour | 1 |