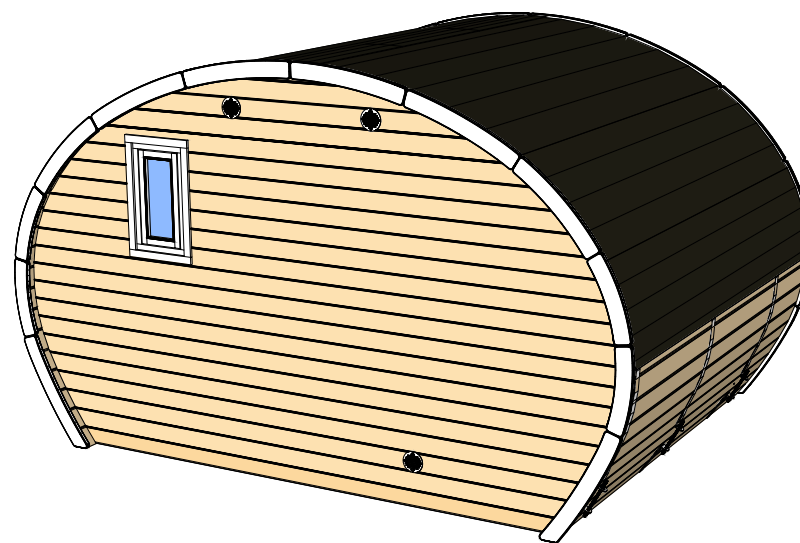
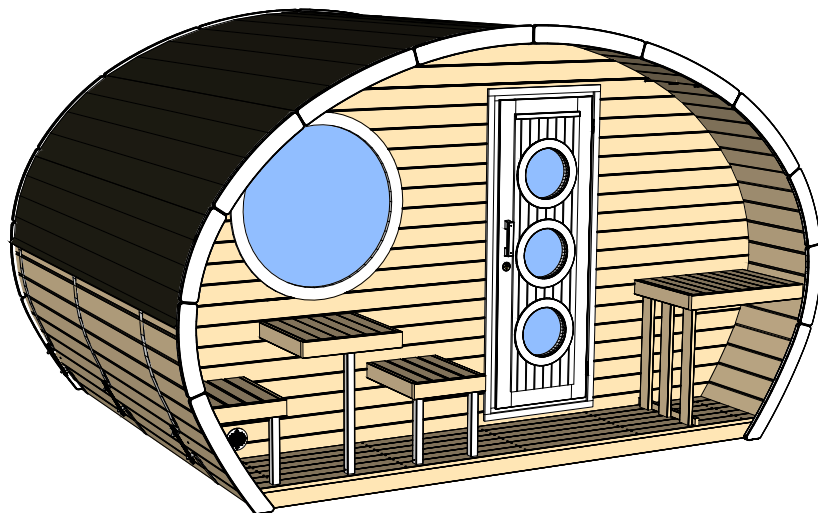
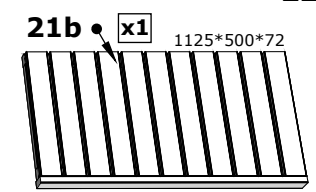
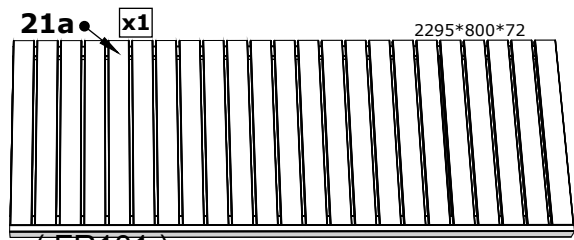
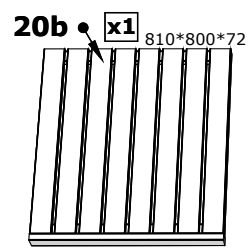
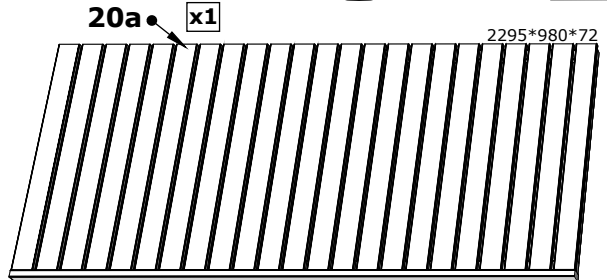
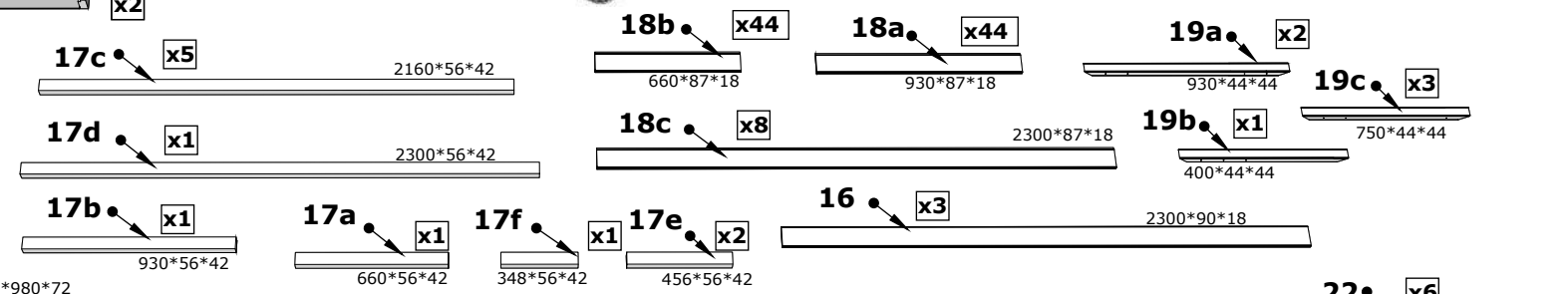
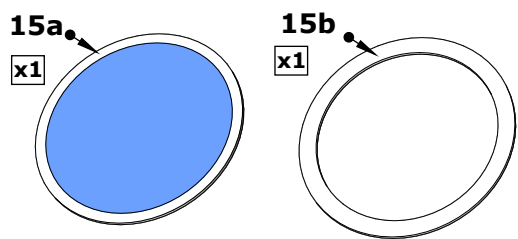
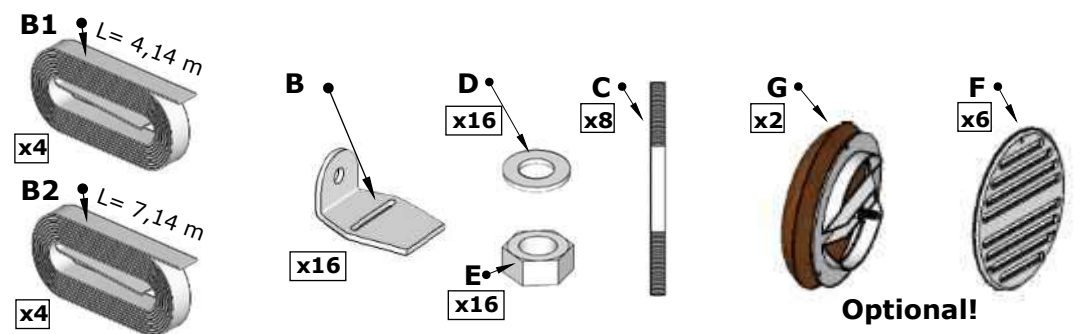
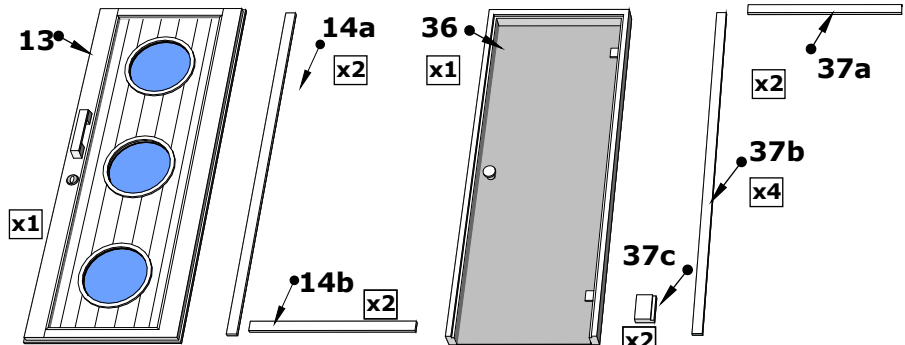
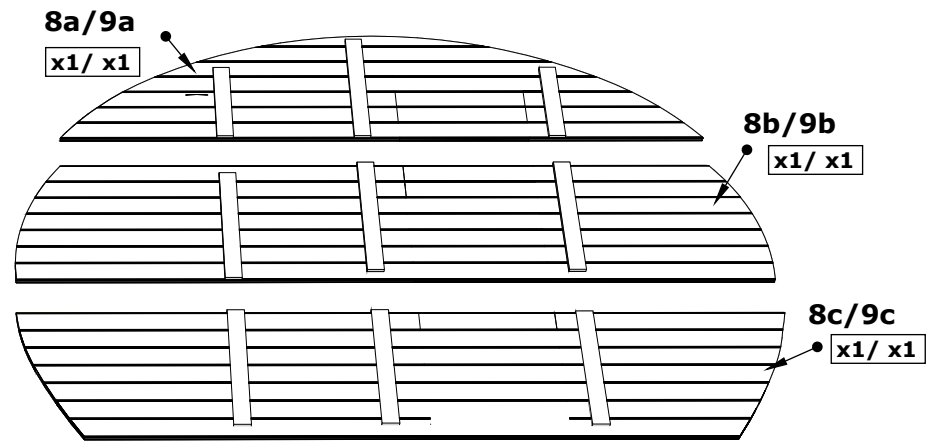
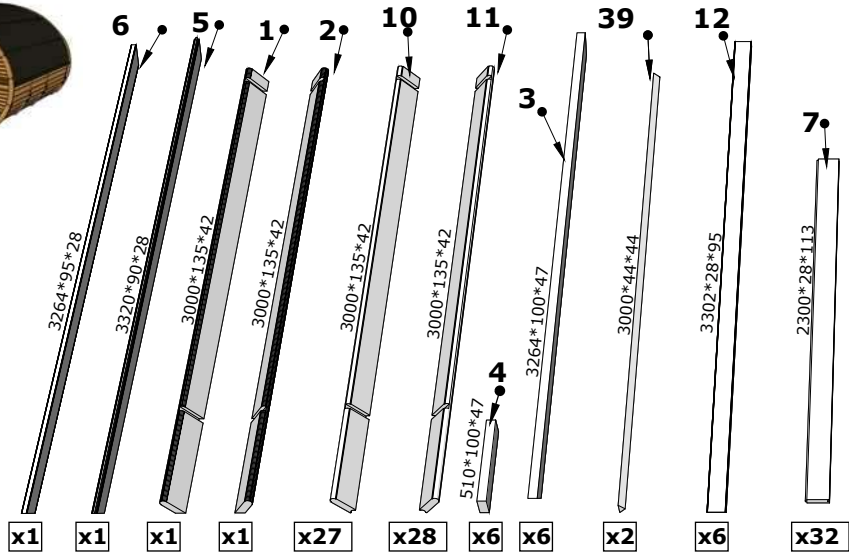


# FRODO 300



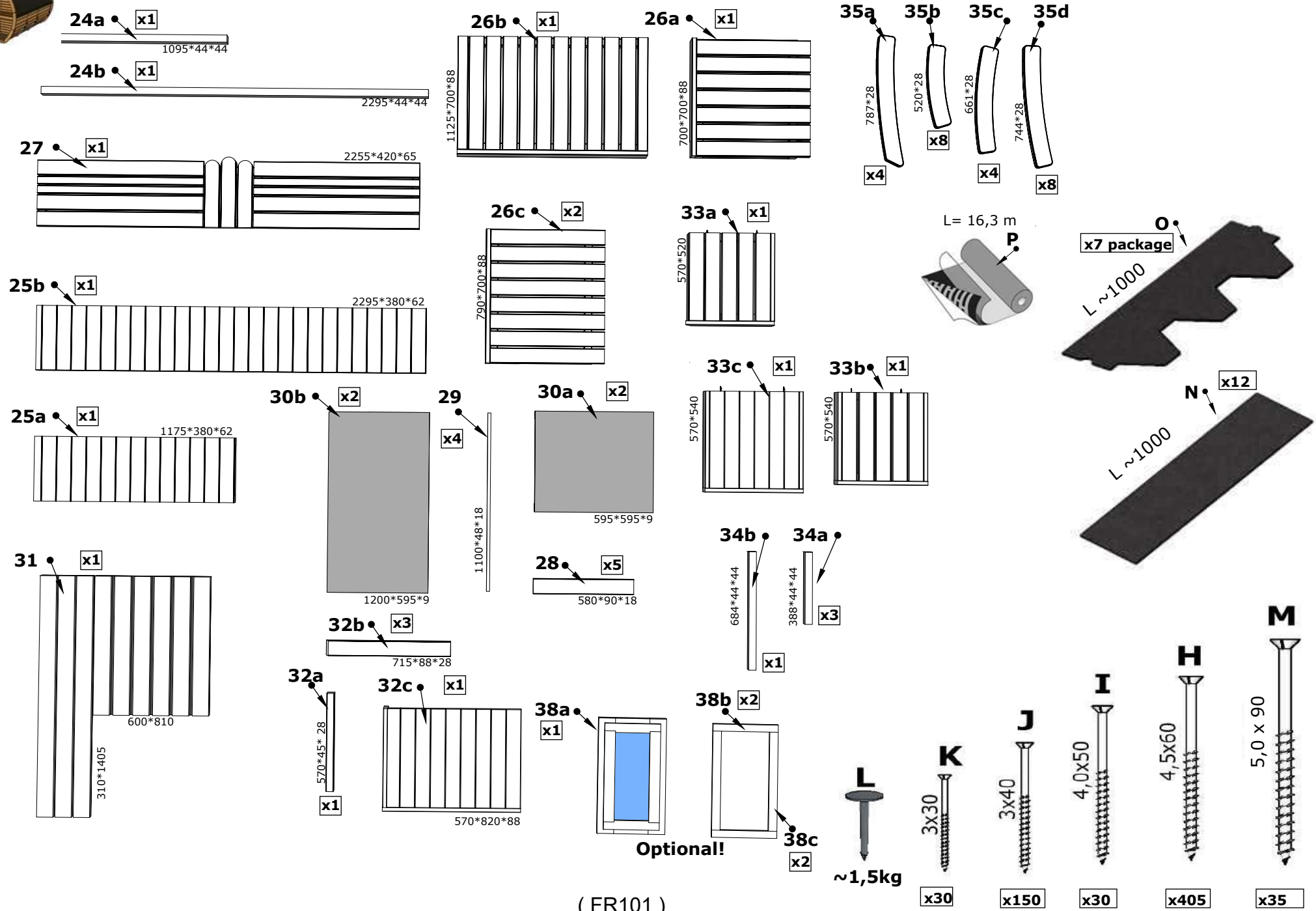
(FR101)

FRODO 300 Details list nr.1



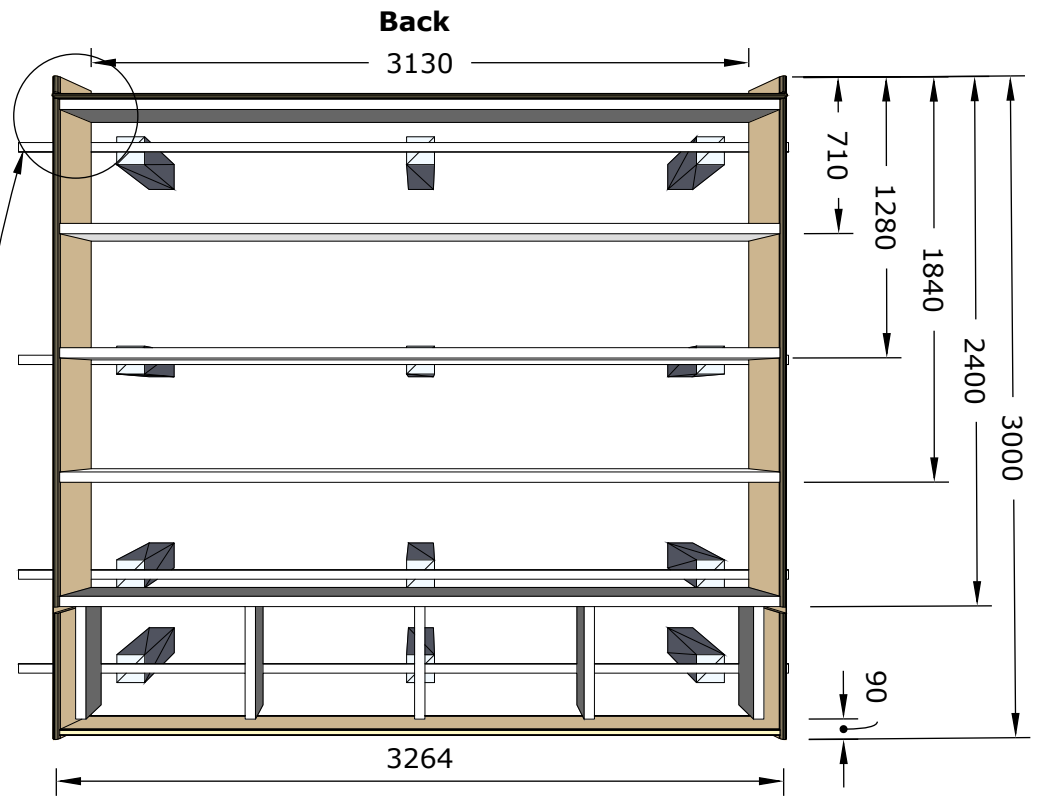
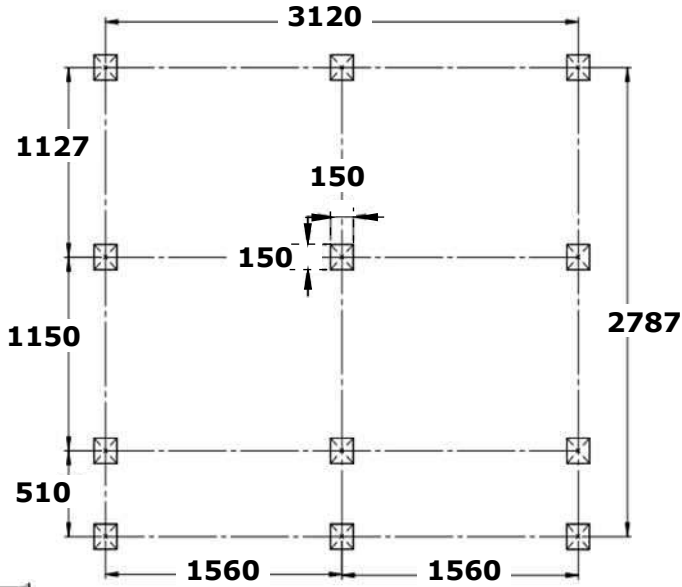
(FR101)

FRODO 300 Details list nr.2

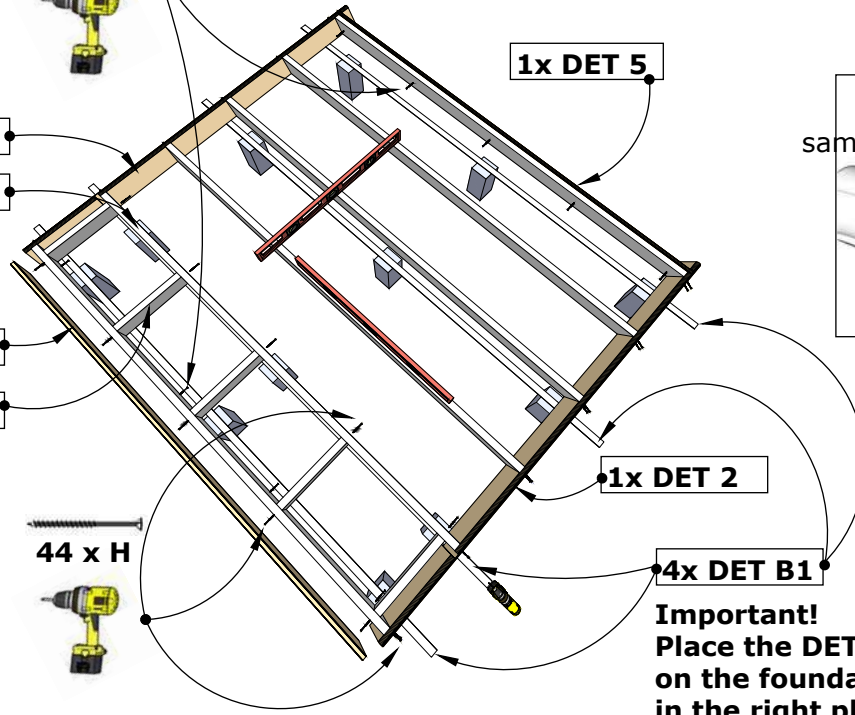


(FR101)

**FRODO 300**

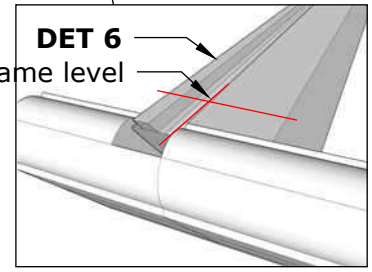


- 1x DET 1
- 6x DET 3
- 1x DET 6
- 5x DET 4

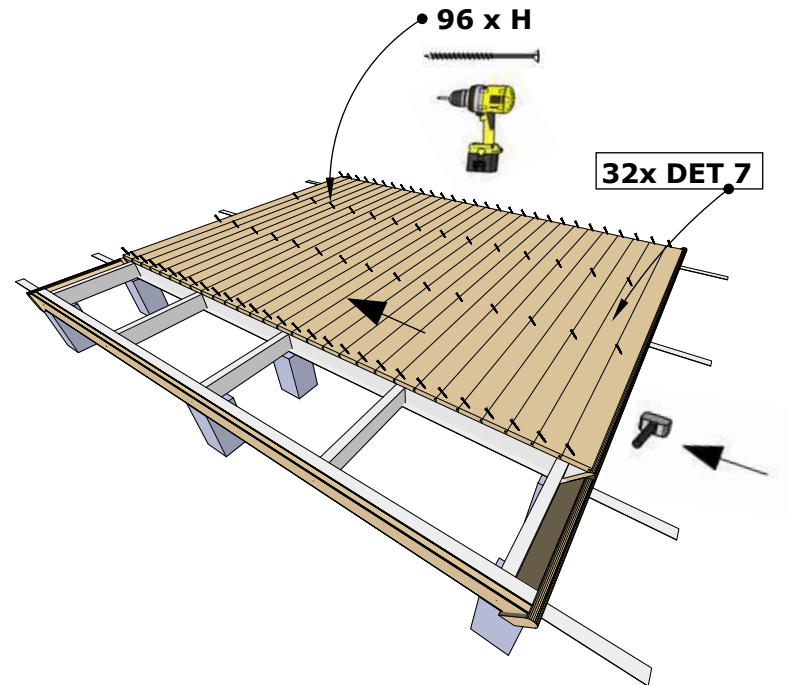


- 1x DET 5
- 1x DET 2
- 4x DET B1

**Important!**  
Place the DET B1  
on the foundation  
in the right place  
before assembling the sauna!



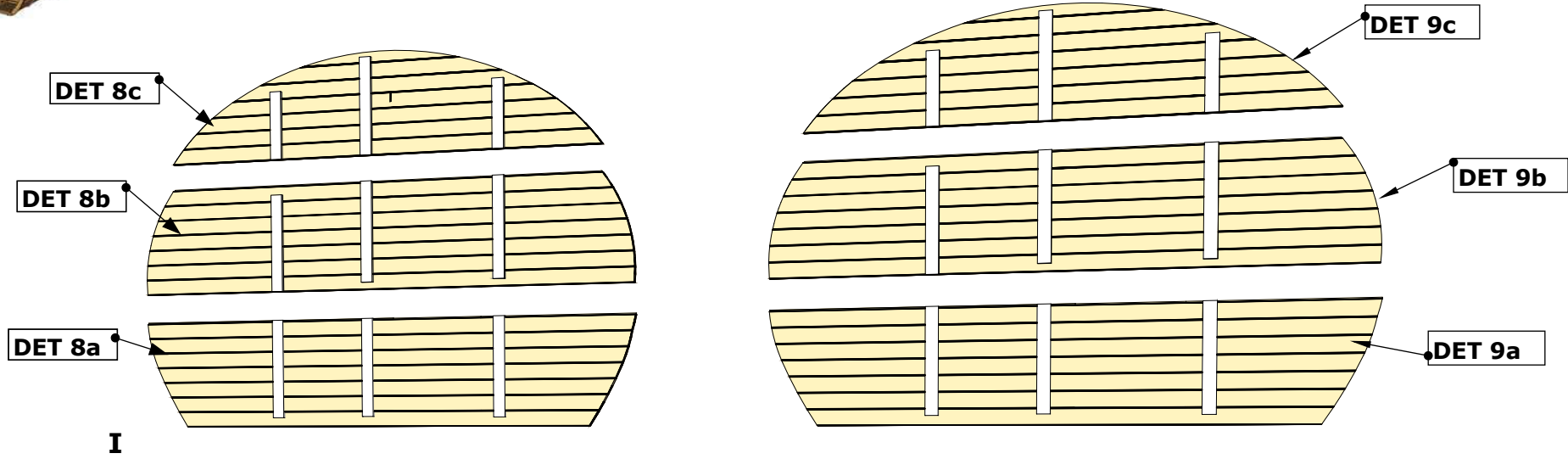
**Front**



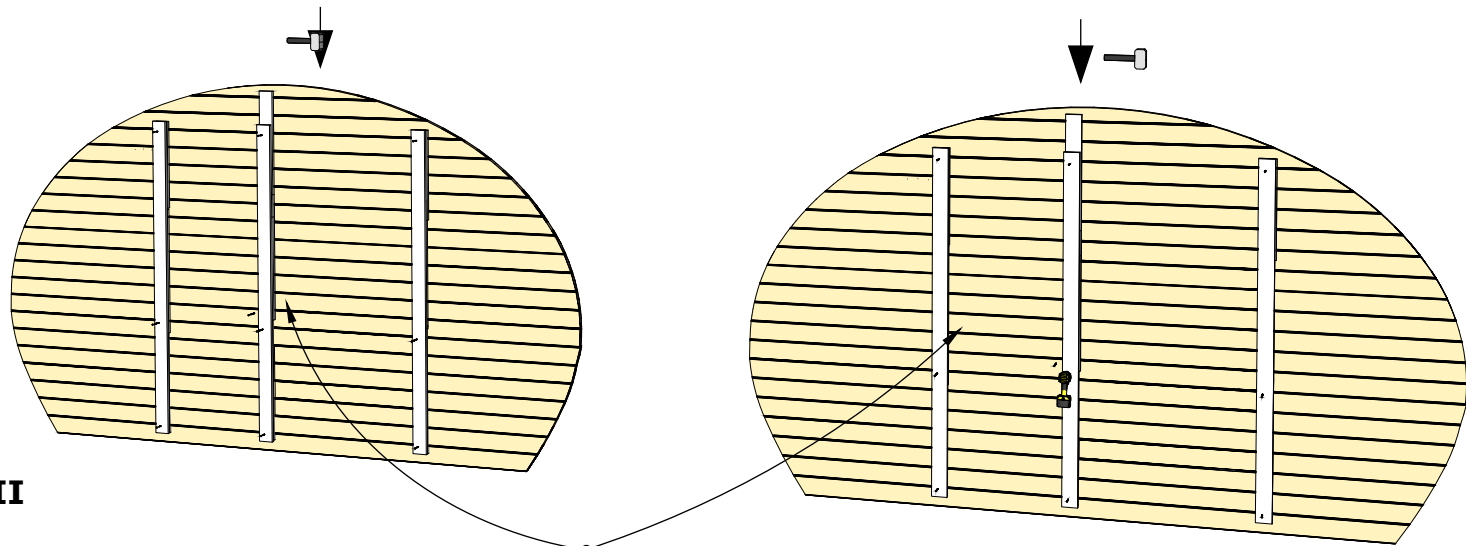
- 96 x H
- 32x DET 7

1.

(FRONT)



I



II



12 x I

**NB! Cut a few boards from the base to temporarily support and secure the walls!!**

2.

(FR101)

FRODO 300



Wall and floor midpoint

mm=mm

NB! Cut some boards from pallet, to support and fix walls if necessary!

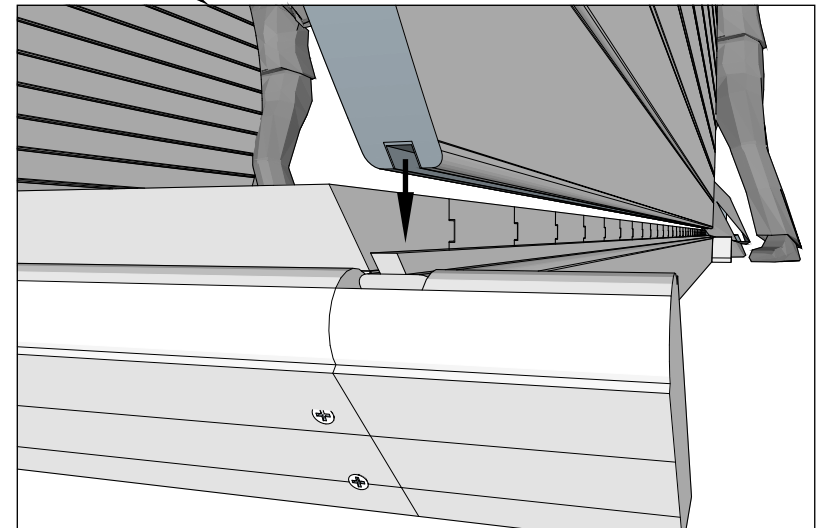
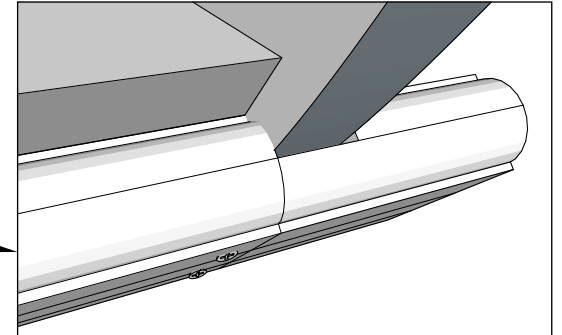
DET 9a/9b/9C

DET 8a/8b/8C

Use DET 10/ DET 11 temporarily if necessary



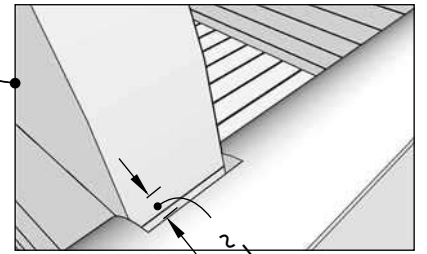
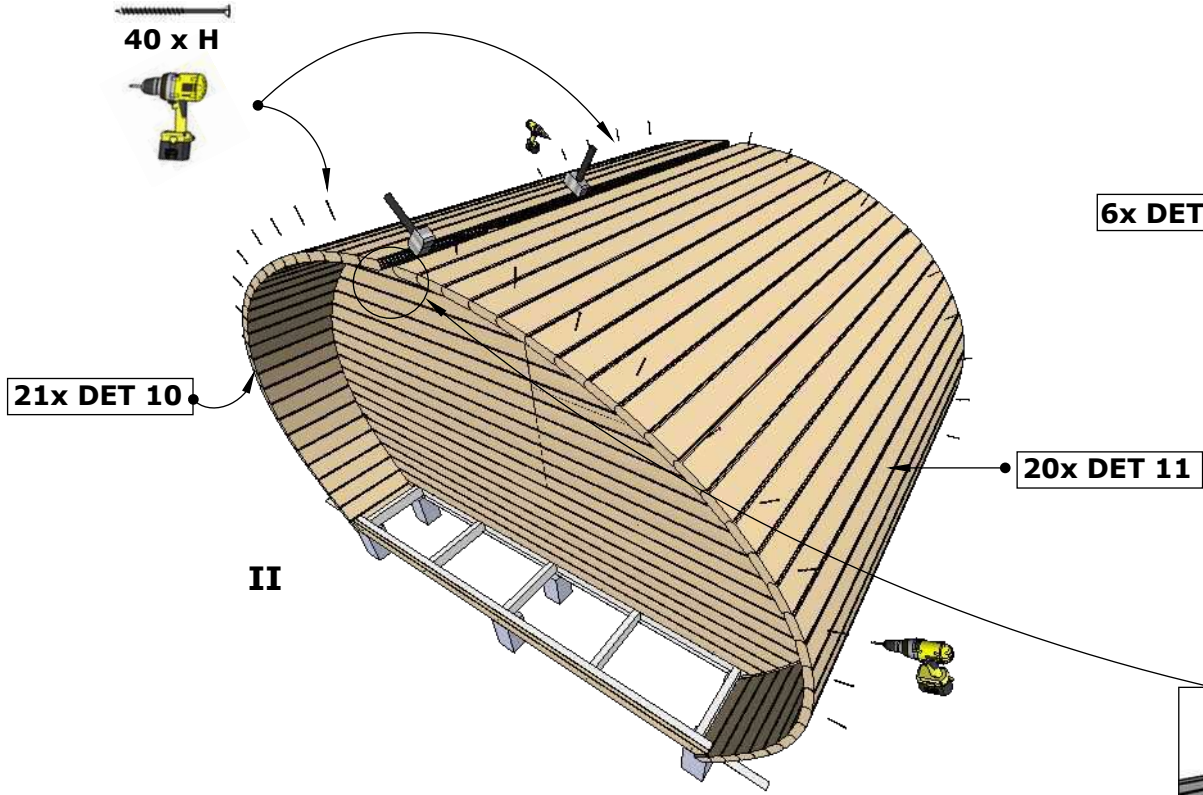
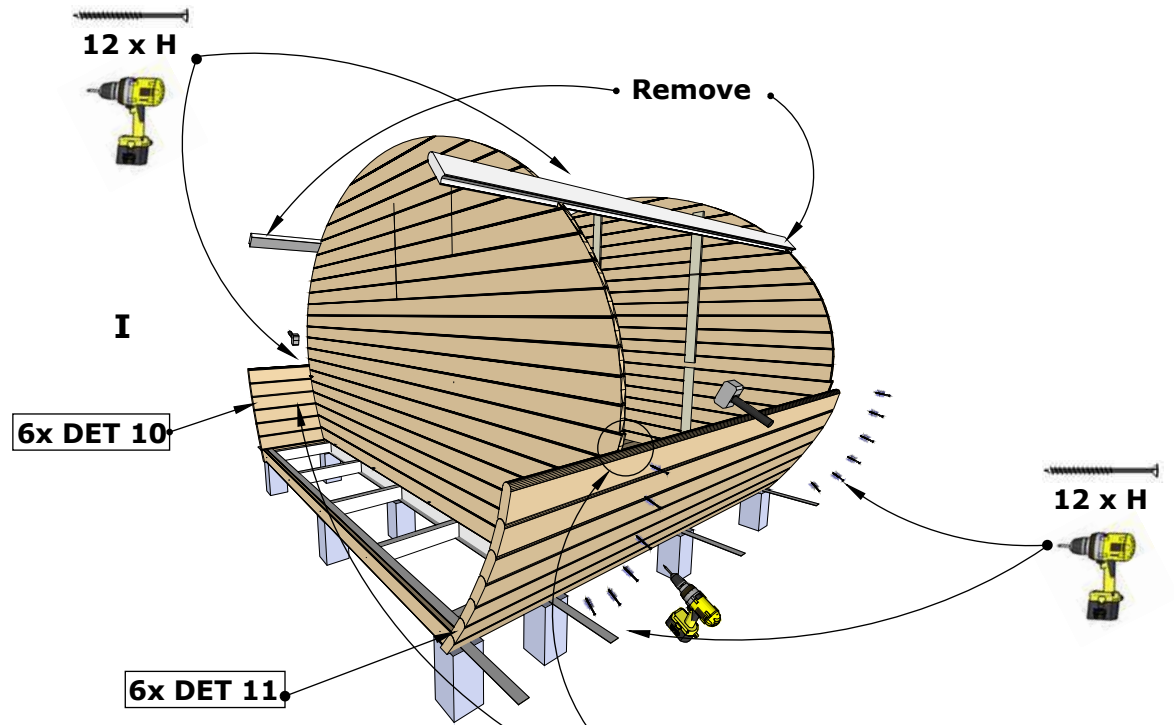
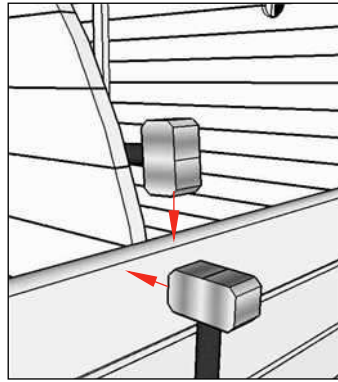
4 x H



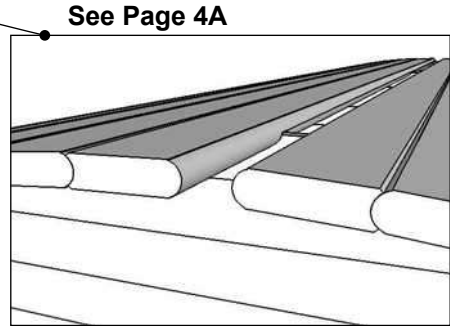
3.

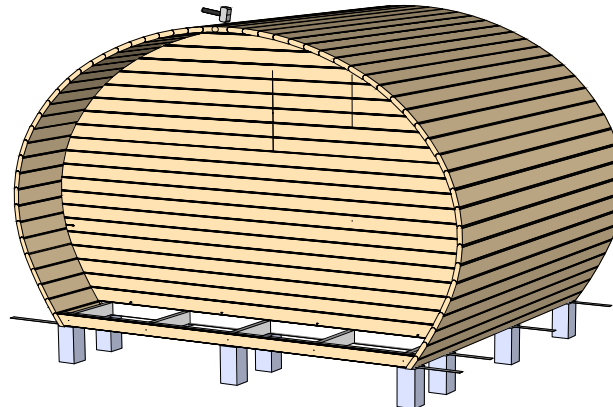
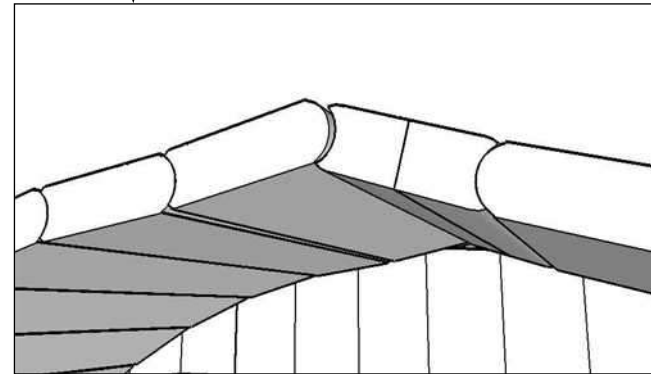
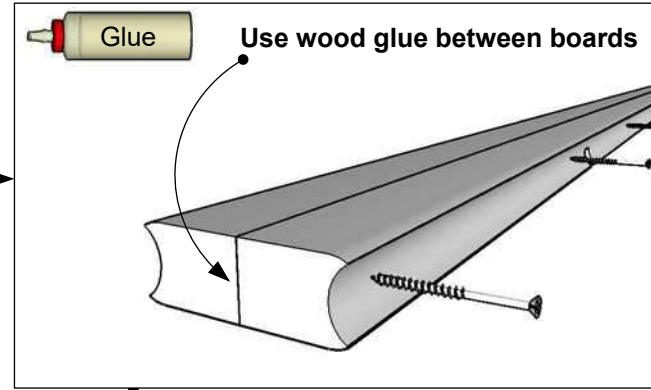
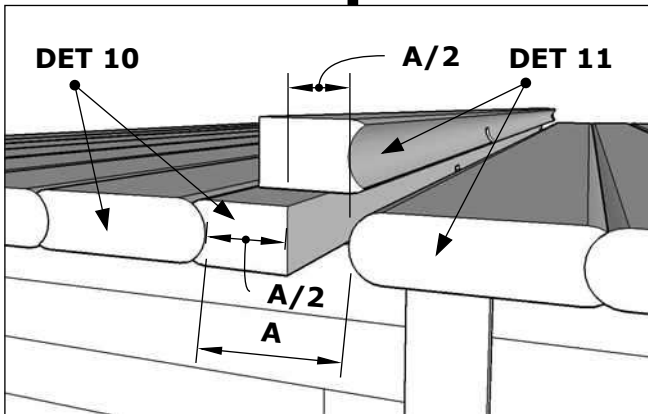
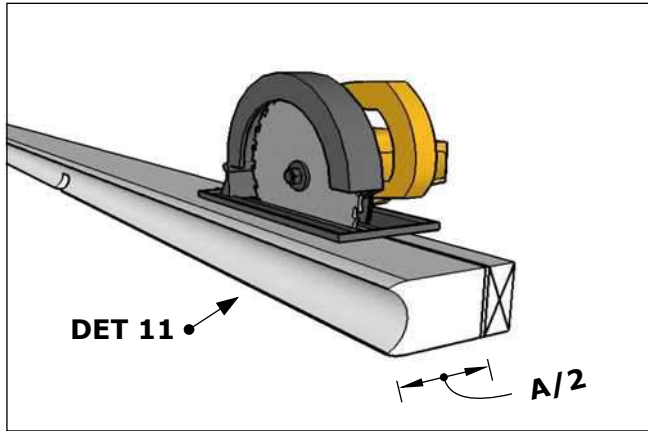
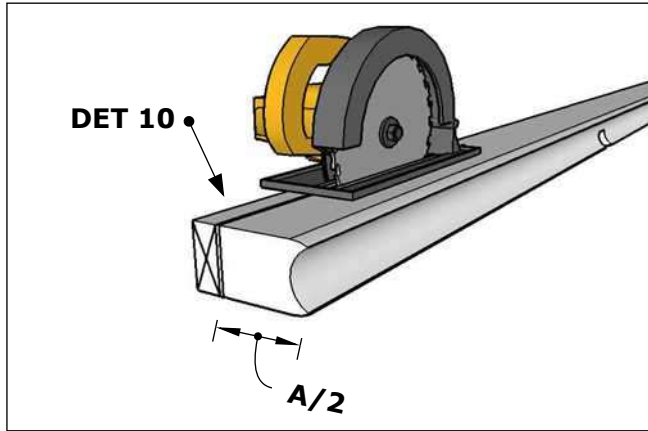
(FR101)

FRODO 300



**NB! Don't leave space, if using thermal wood!!!**

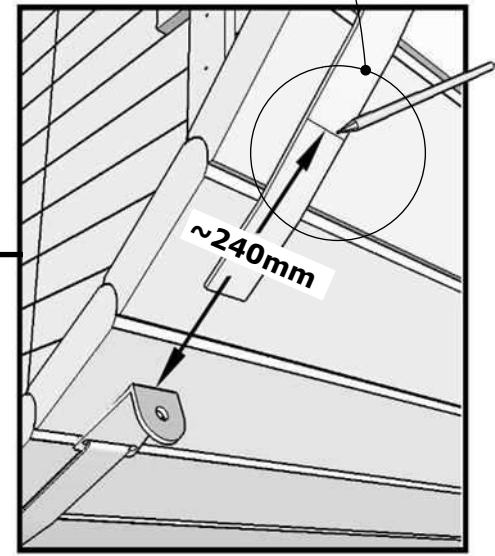
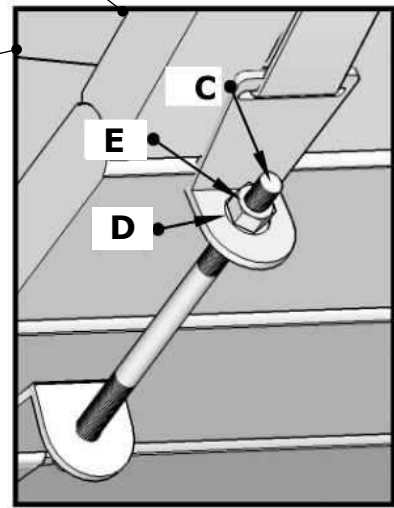
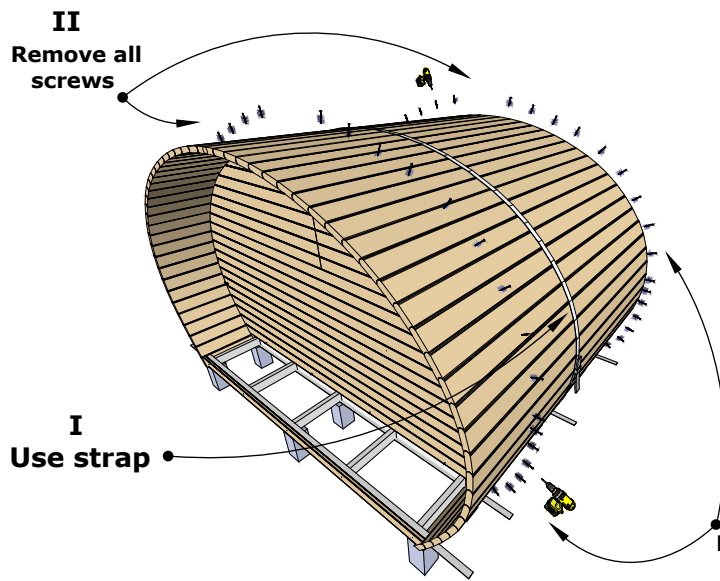
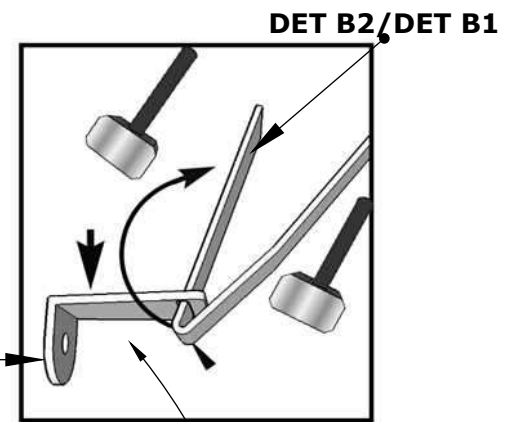
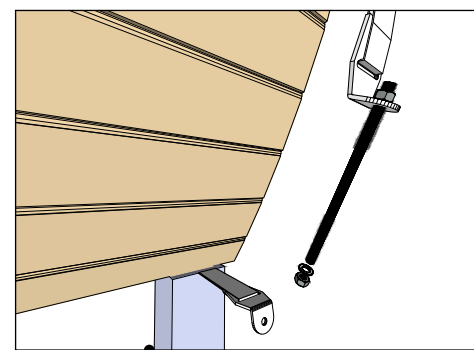
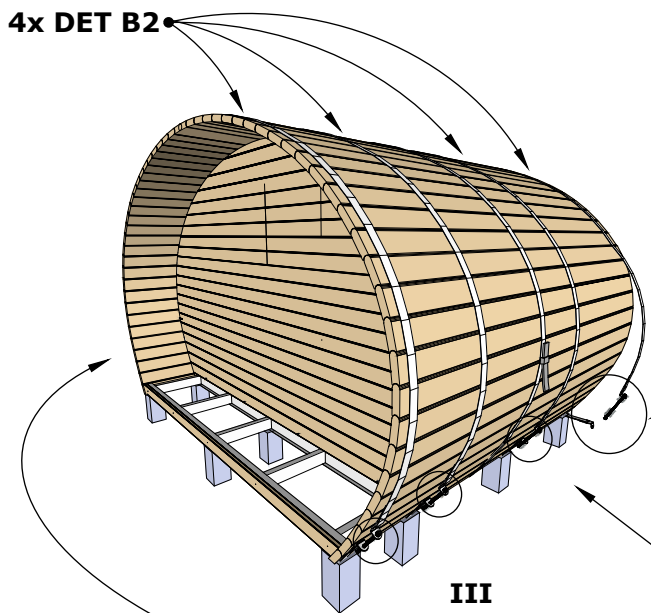








8x DET C  
16x DET D  
16x DET E



**I** Use strap

**II** Remove all screws

**NB! Don't remove screws if using thermal wood!**

Remove all screws and use them on further sauna installation



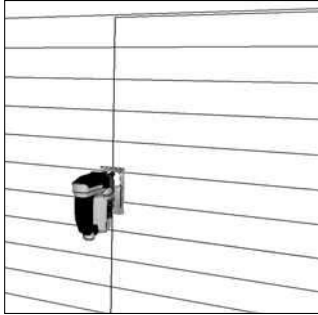
During assembly and retightening the threaded rods, use oil (Würth HPS 1400 or similar) to avoid "cold welding" and it is also easier tightening.

FRODO 300

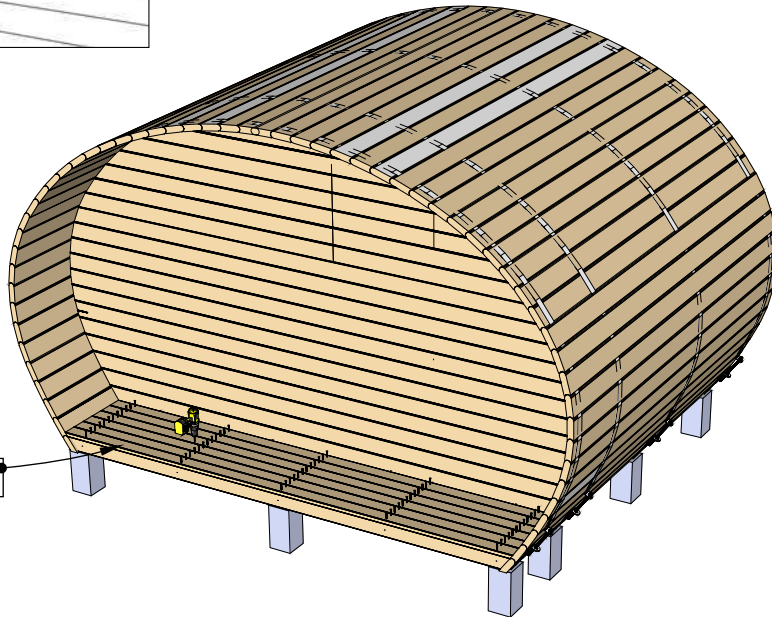


Use waterlevel for installation.  
Place door from inside.

Measure the door and add 10 mm to each side!  
Mark openings and cut out.



II

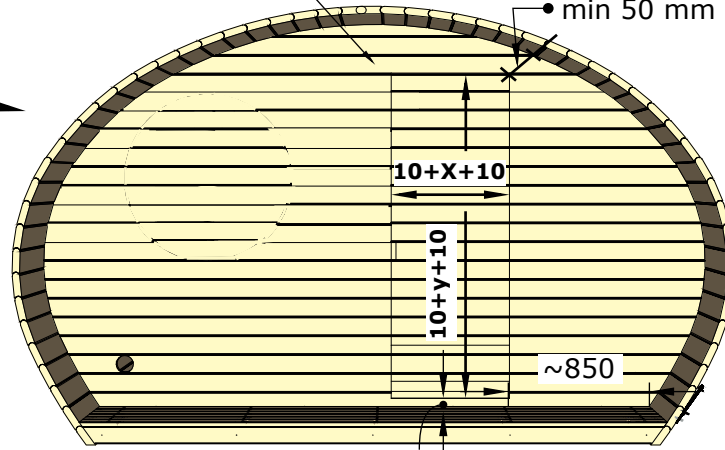
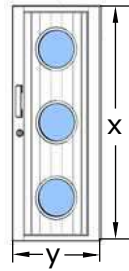


28 x H



6x DET 12

I



III

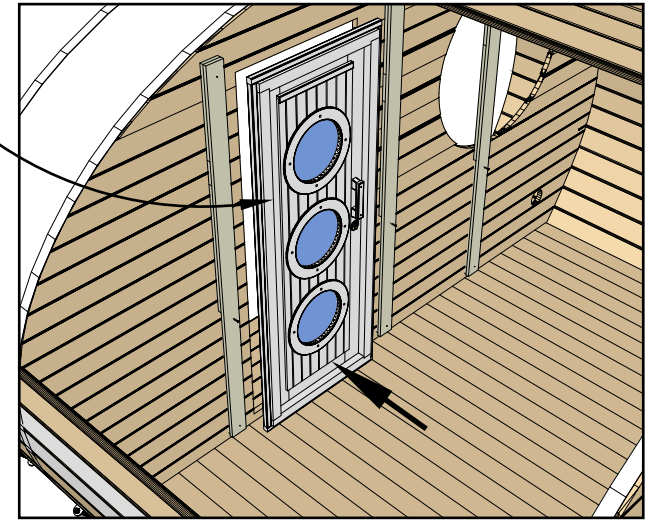
min.50 from floor!

42 x J



Place doors from inside.

DET 13



IV

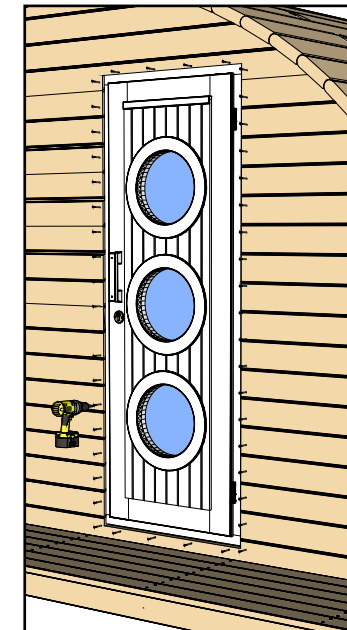
18 x J



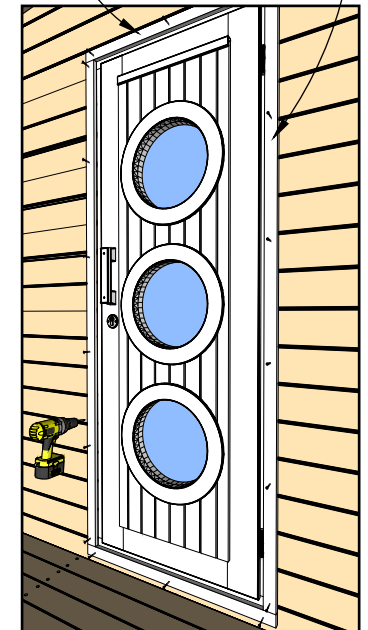
2x DET 14b

2x DET 14a

NB! Vertically fix screw in every board.



V



VI

6.

(FR101)

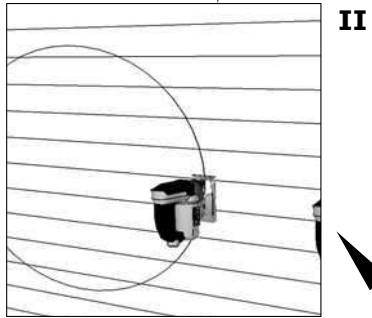
FRODO 300



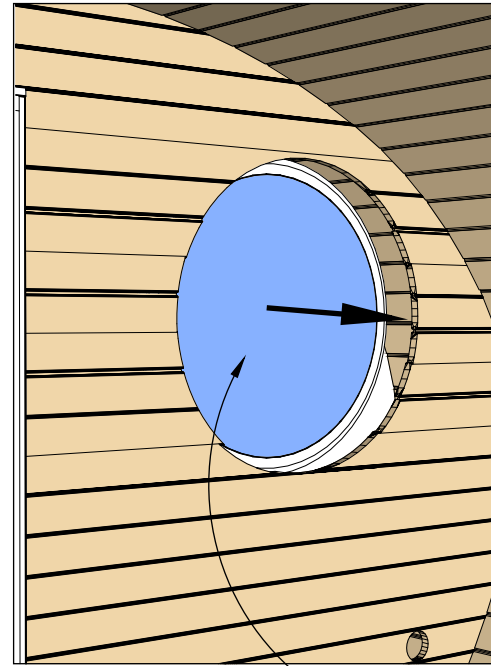
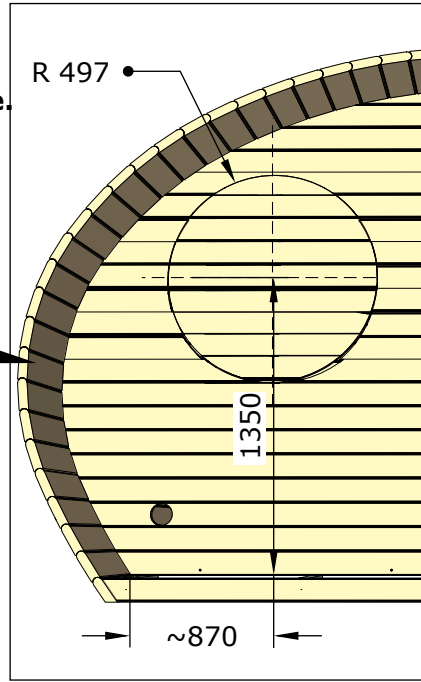
Use waterlevel for installation.  
Place window from outside.



Measure the window and  
add 10 mm around!  
Mark openings and cut out.

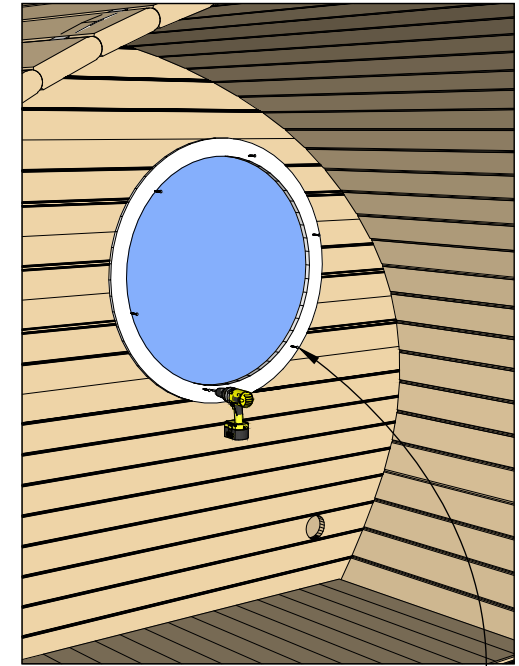


II



III

1x DET 15a



IV

1x DET 15b

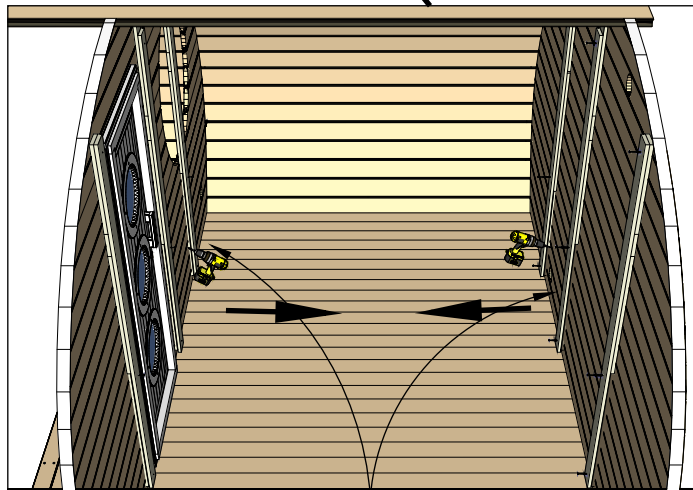
6 x I



5 x I



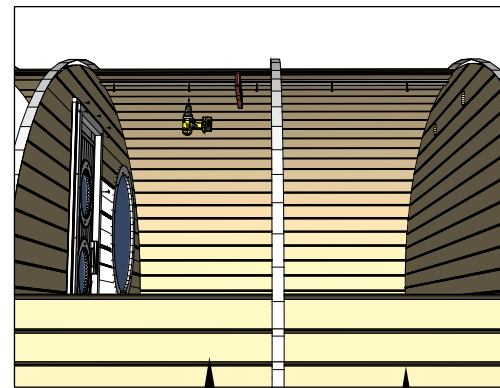
1x DET 16



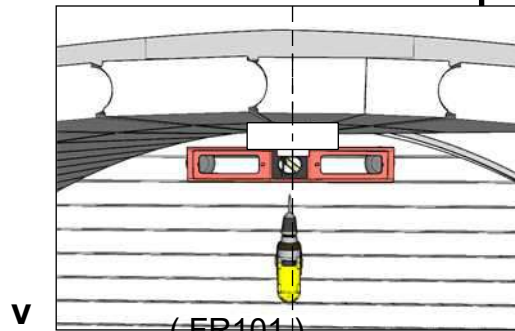
I

Remove all brackets

7.



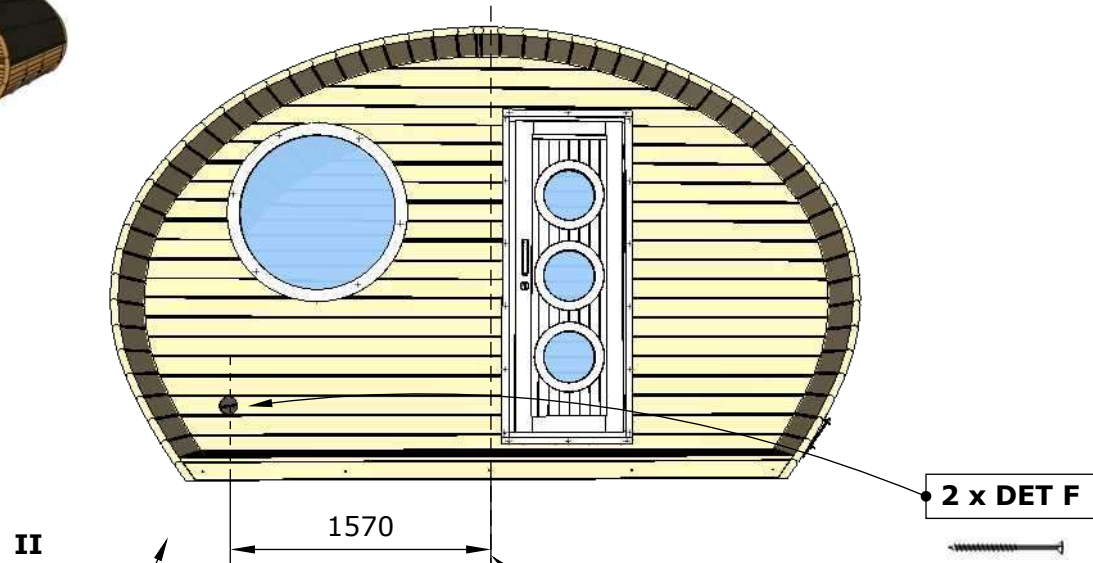
Sauna  
midpoint



V

(FR101)





Make 1 holes  
Ø110

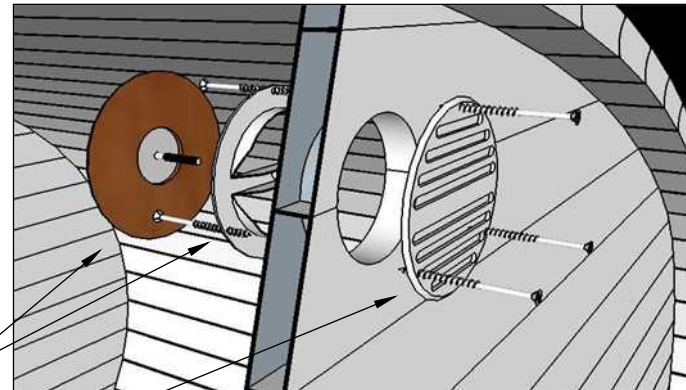
Sauna  
midpoint



Make 3 holes  
Ø110

900

2 x DET G

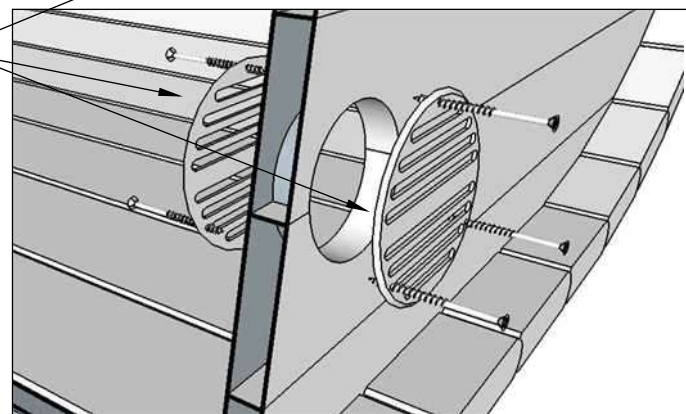


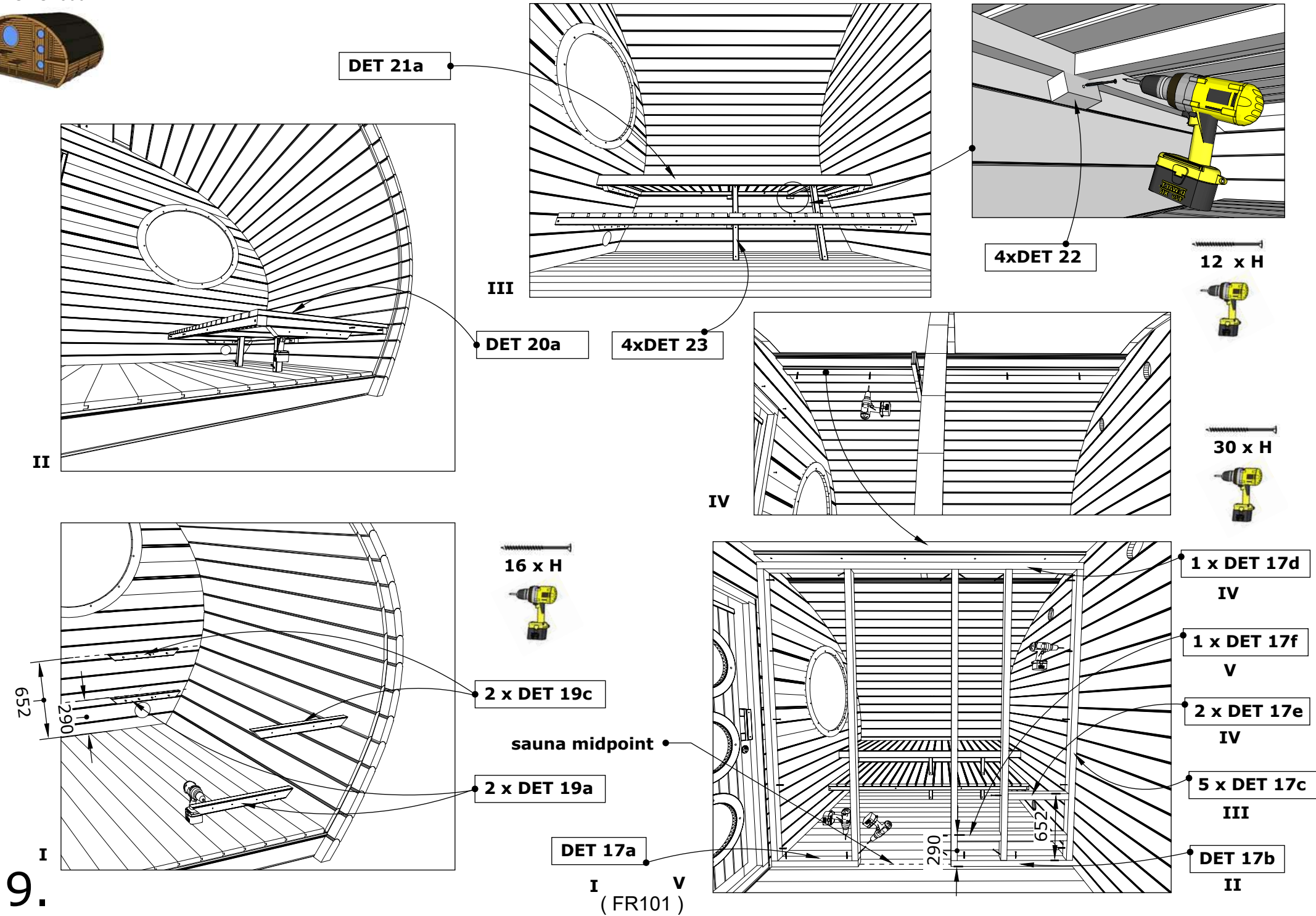
I

Sauna  
midpoint

700

4 x DET F

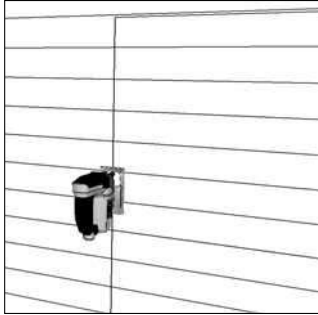




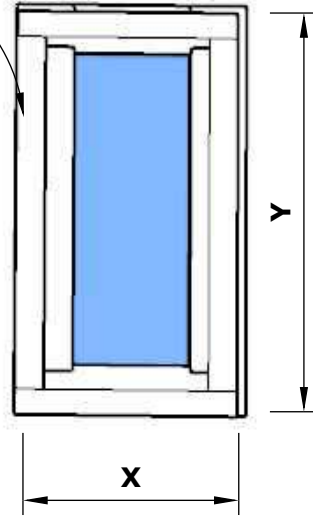
FRODO 300



Measure the window and add 10 mm to each side! Mark openings and cut out.



DET 38a



NB! Vertically fix screws in every board.



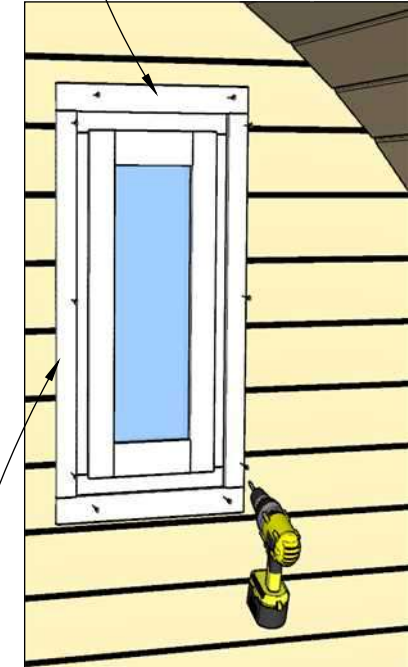
20 x J



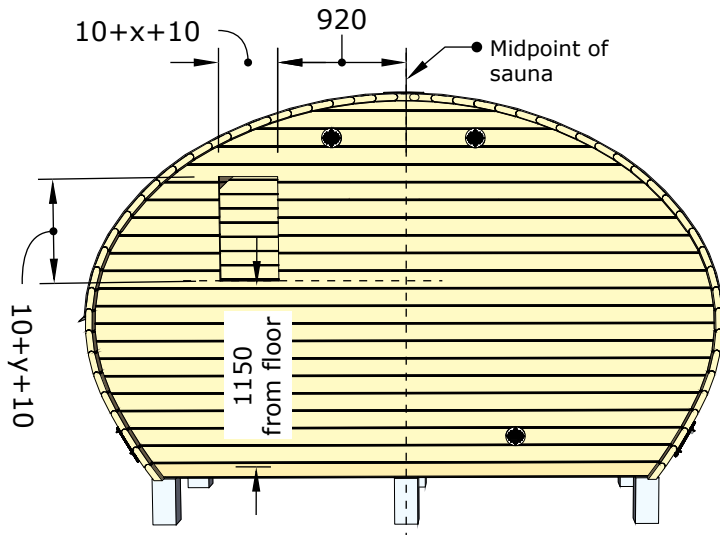
20 x J



2xDET 38b



2xDET 38c

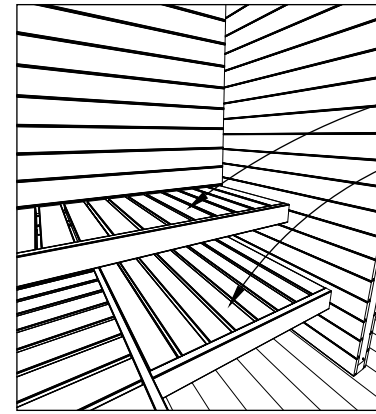
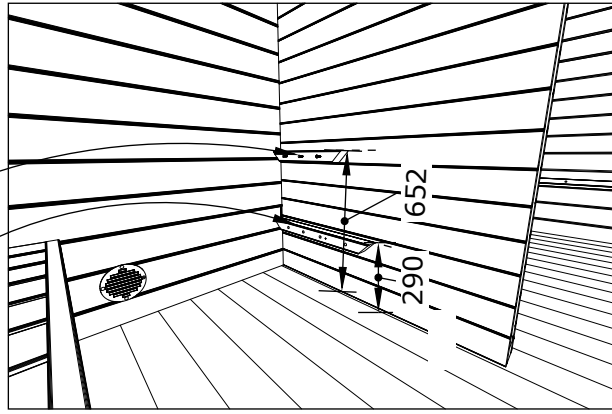


10.

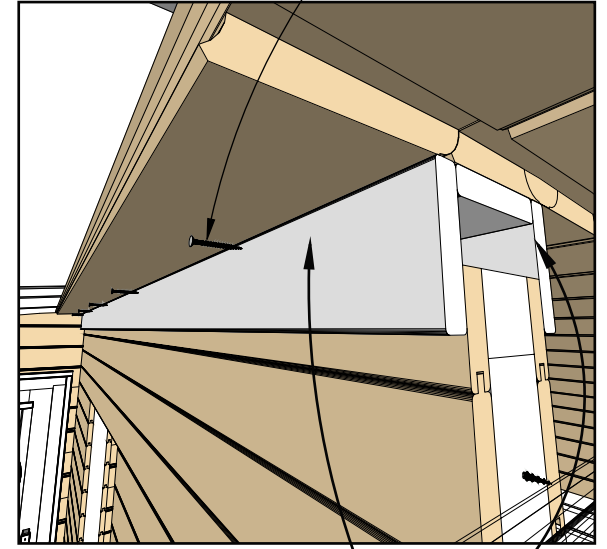
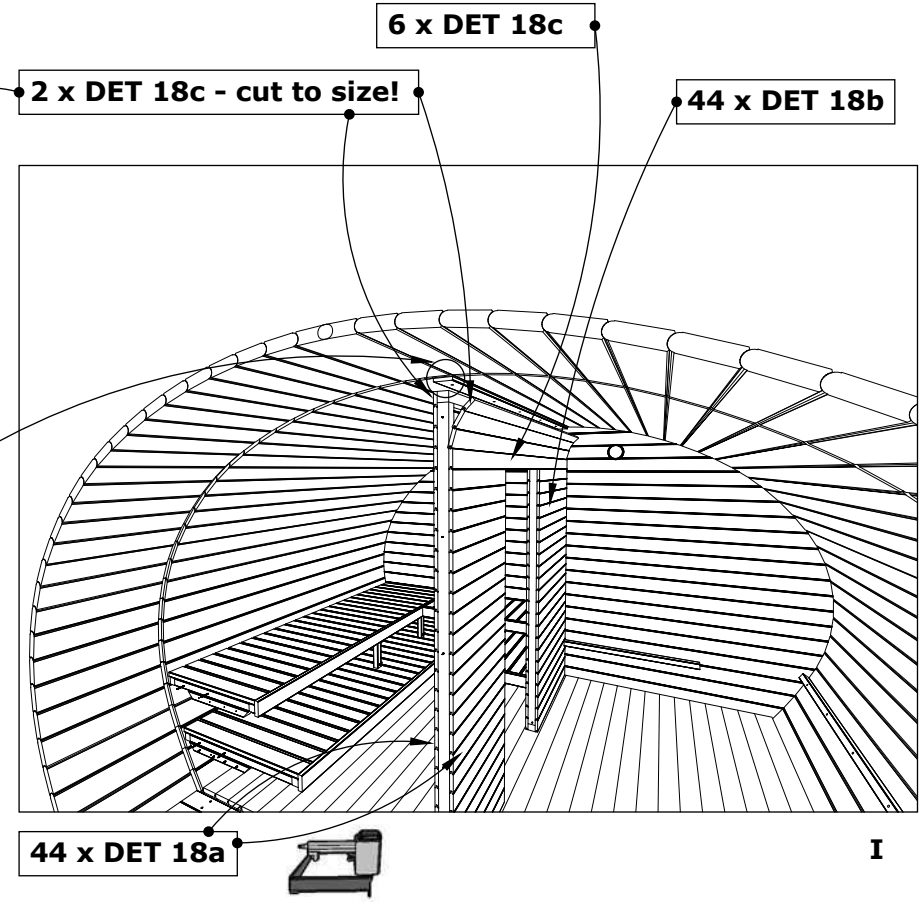
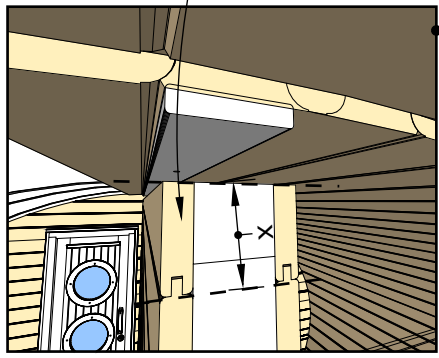
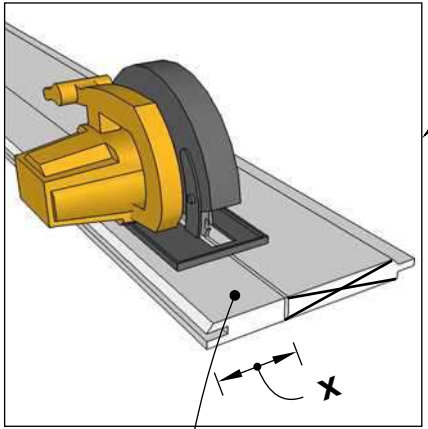
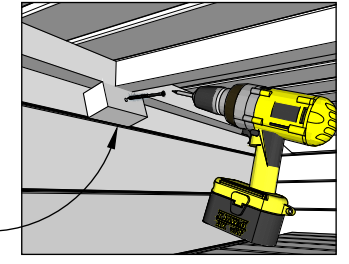
(FR101)



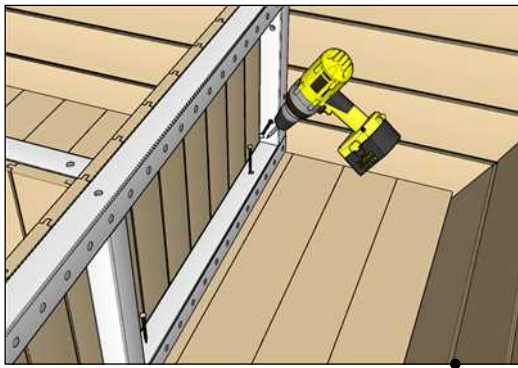
- 1 x DET 19b
- 1 x DET 19c



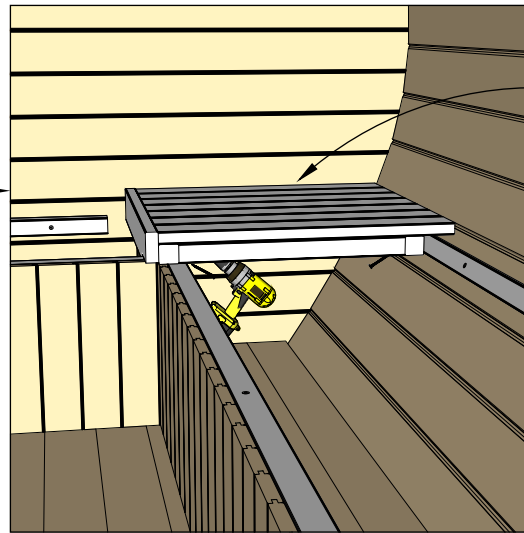
- DET 21b
- DET 20b
- 2xDET 22



- 2 x DET 16



II

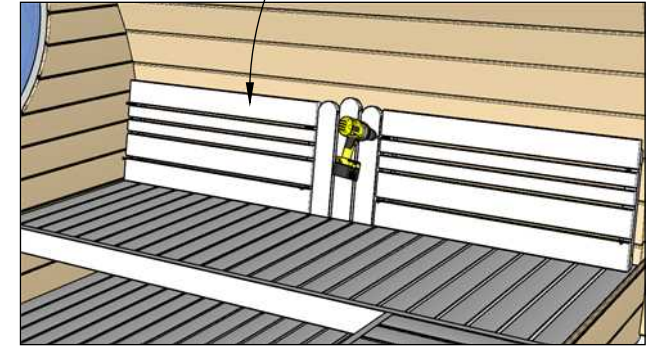


III

8 x H  
DET 26a



8 x H  
DET 27

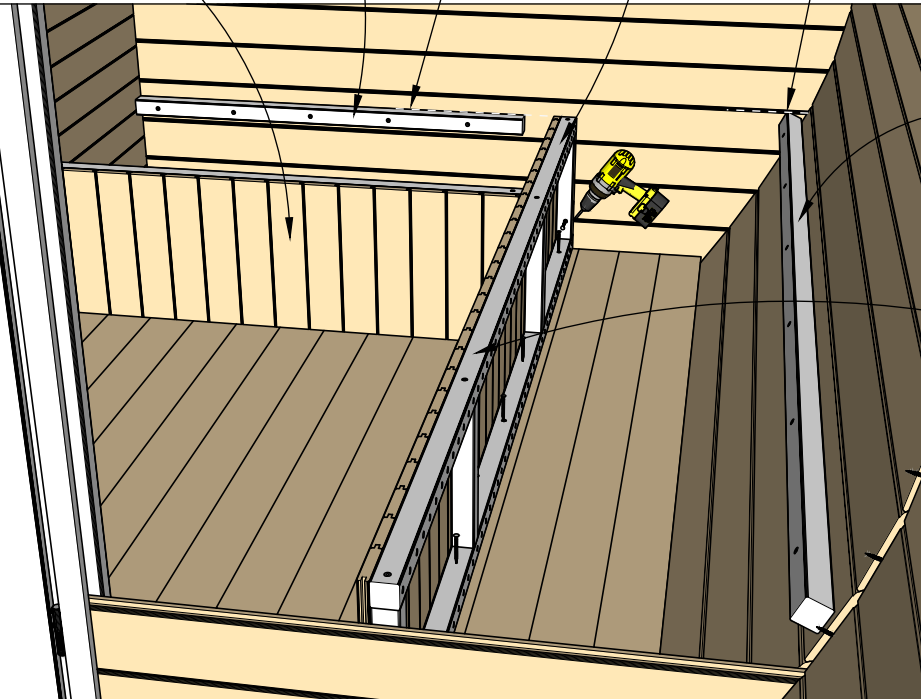


8 x H  
DET 25a

5 x H  
DET 24a

• 422

• 422



I

6 x H  
DET 24b

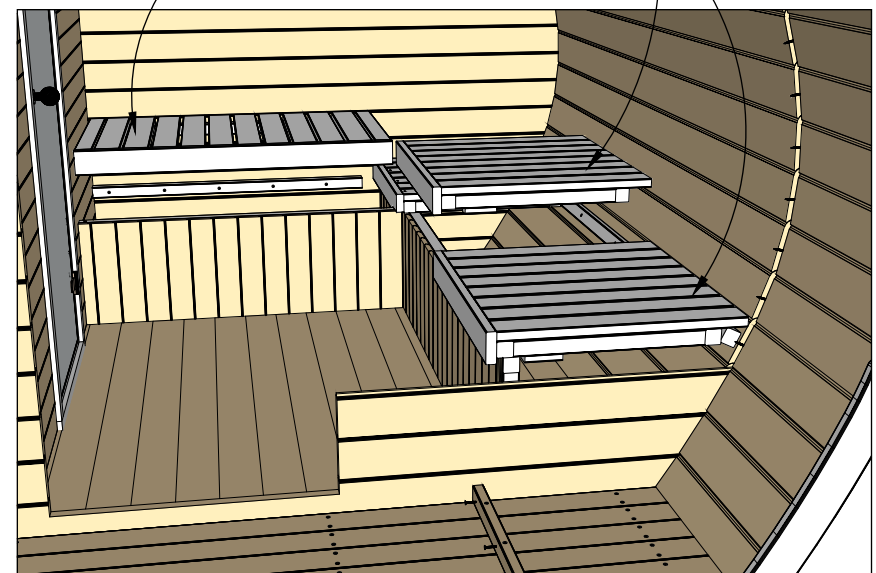
DET 25b

10 x H



DET 26b

2xDET 26c



IV



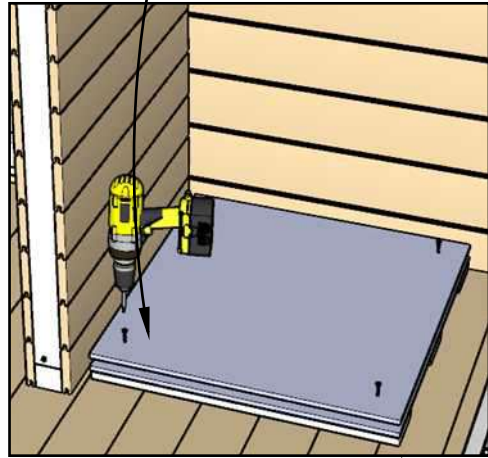


2xDET 30a

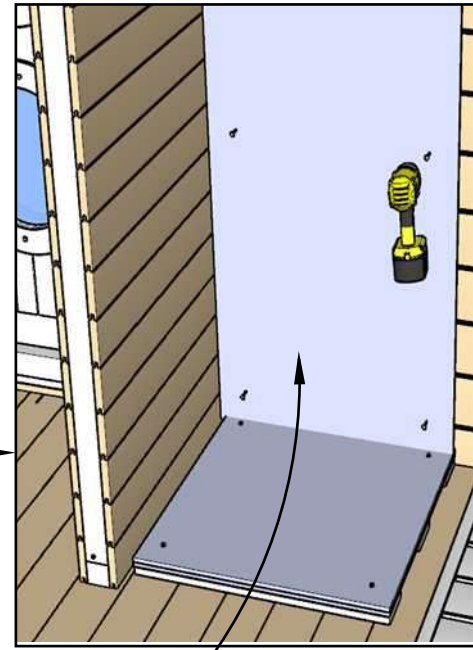
4 x J

2x DET 29

4 x J

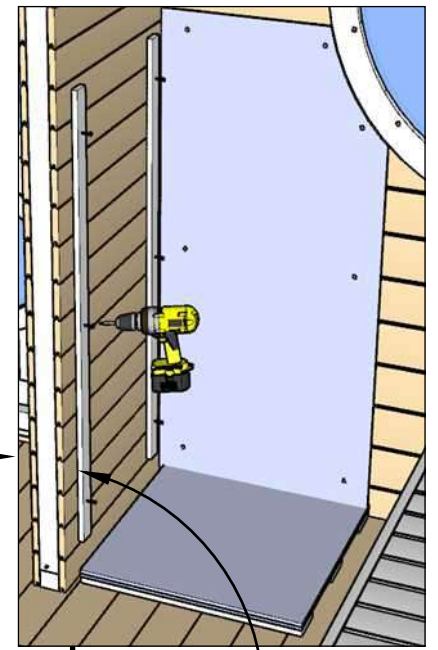


II



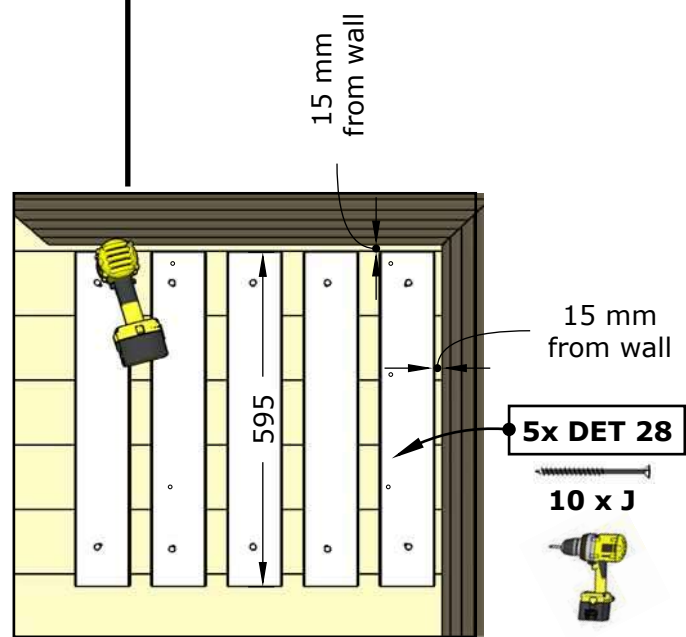
DET 30b

7 x J

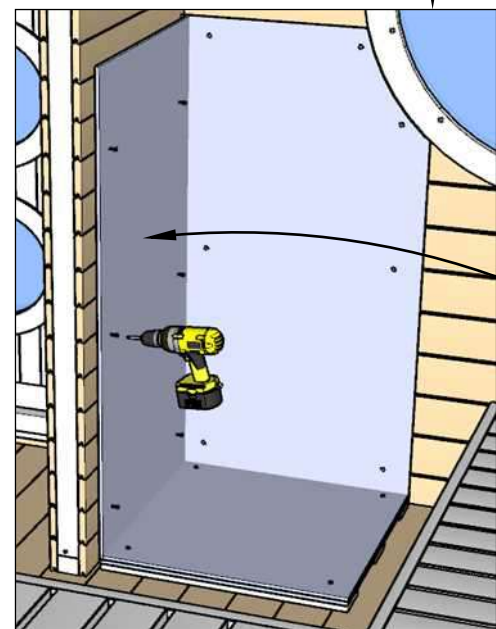


2x DET 29

4 x J



I

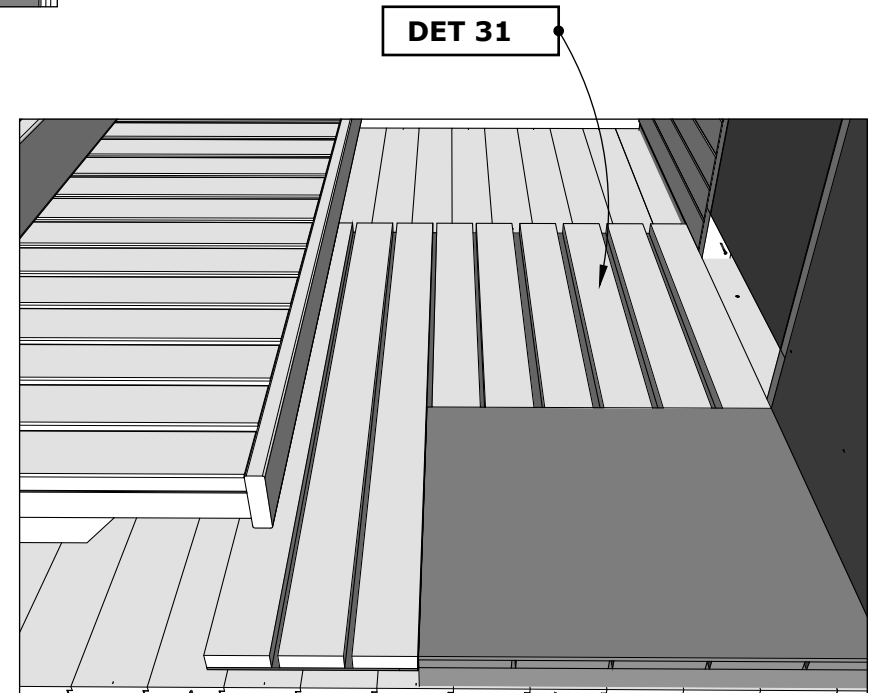
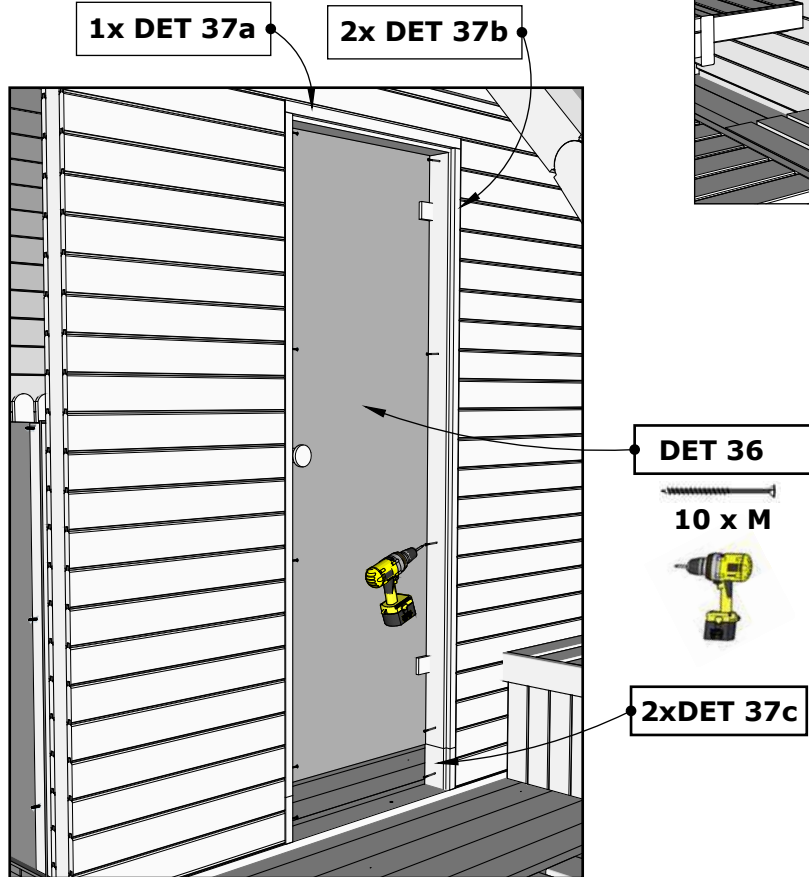
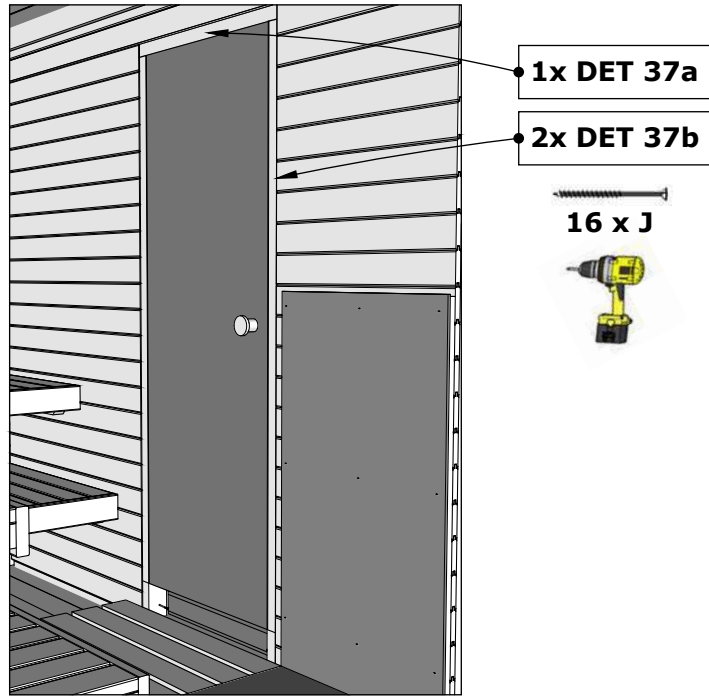


DET 30b

6 x J

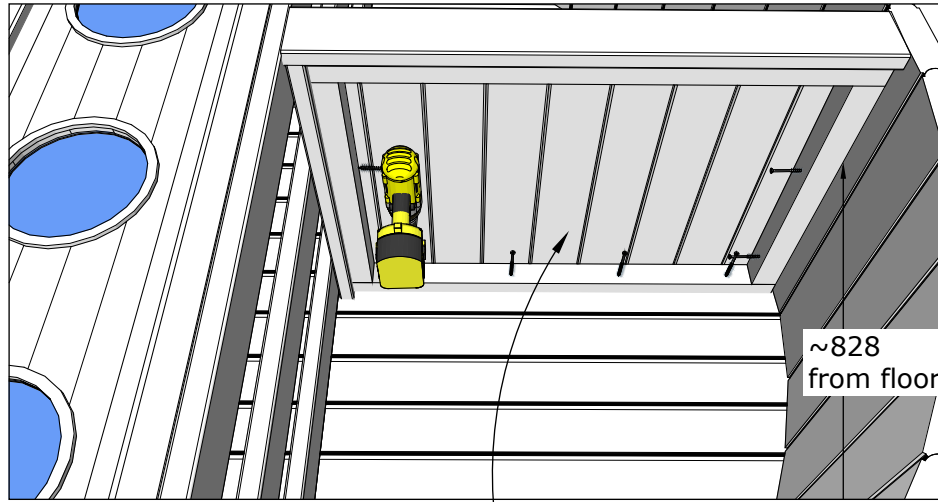


Use waterlevel



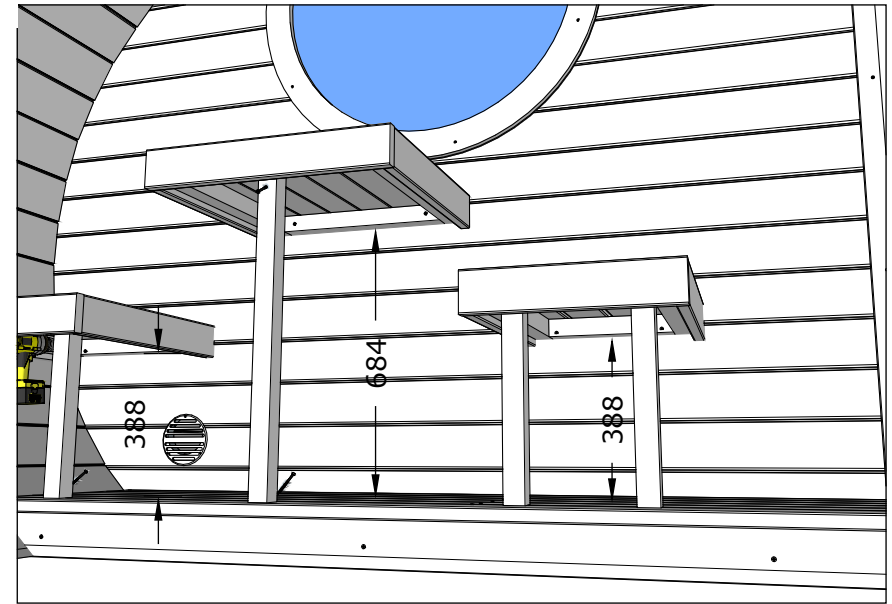


II



~828  
from floor

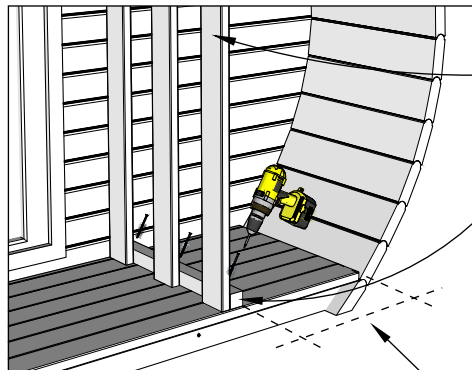
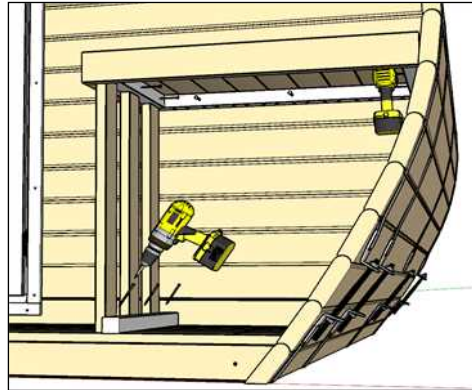
III



388

684

388



I

3x DET 32b

DET 32a

3 x H

~470

DET 32c

10 x H

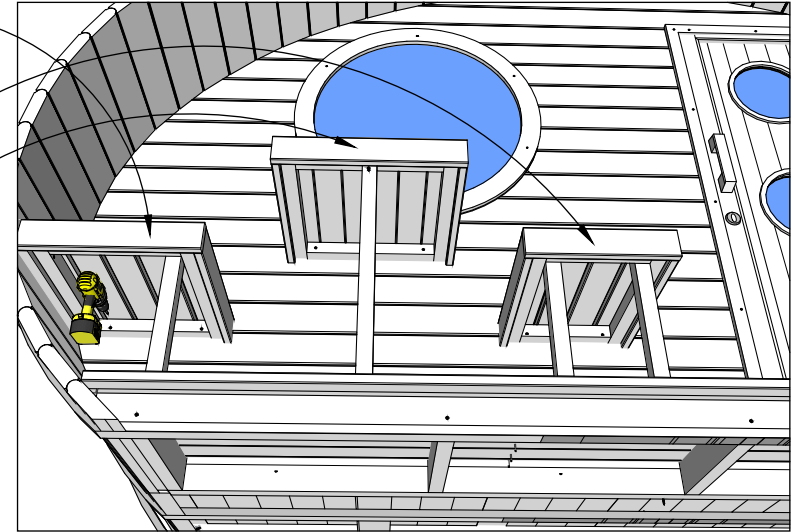
8 x H

DET 33a

DET 33b

DET 33c

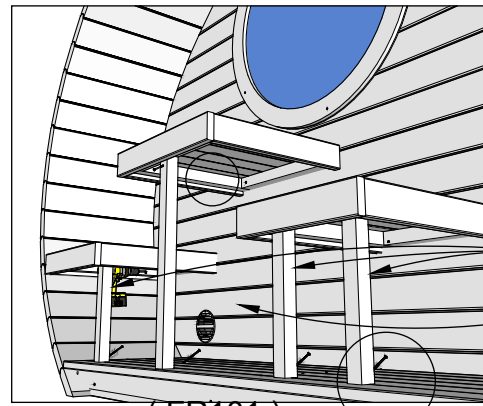
IV



3x DET 34a

DET 34b

8 x H



(FR101)

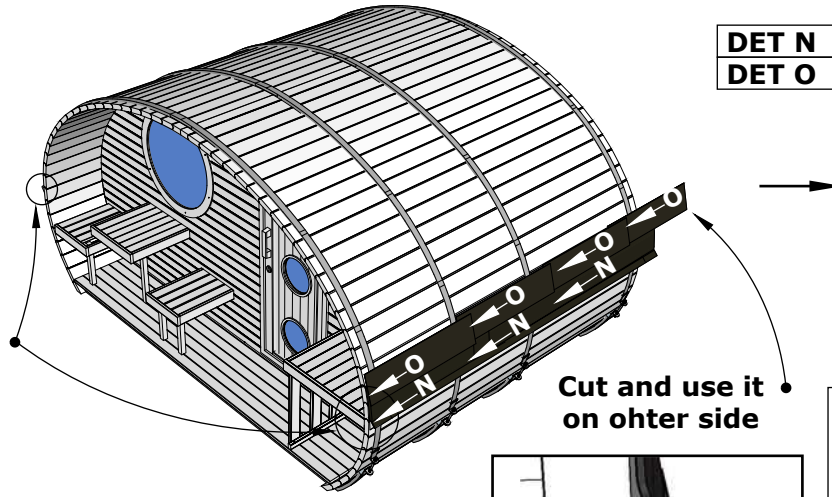


**NB!** Check also shingles installation manual inside shingles package.

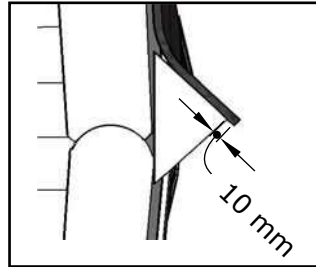


DET P

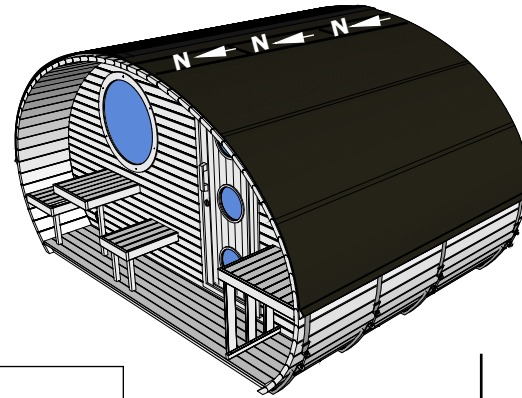
**NB!** Before roof shingles, install underlay felt. Check underlay felt installation manual on extra pages.



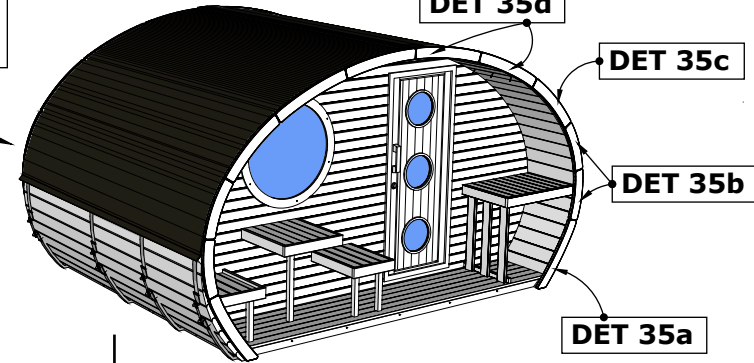
Cut and use it on ohter side



DET N  
DET O



22 x H



DET 35d

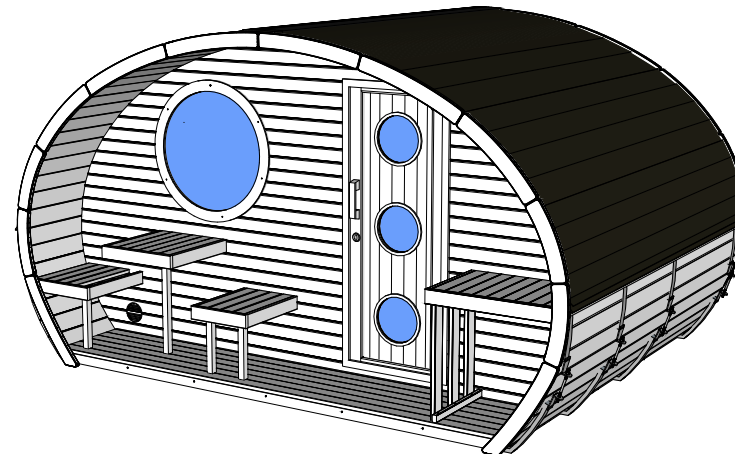
DET 35c

DET 35b

DET 35a

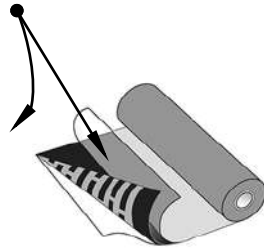
2x DET 39

8 x H

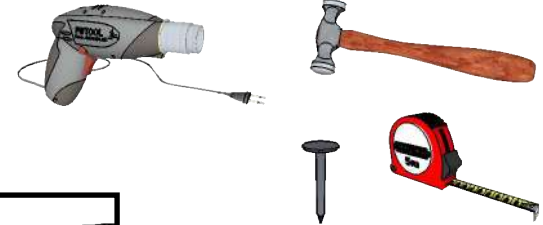


# Self-adhesive UNDERLAY FELT INSTALLATION MANUAL.

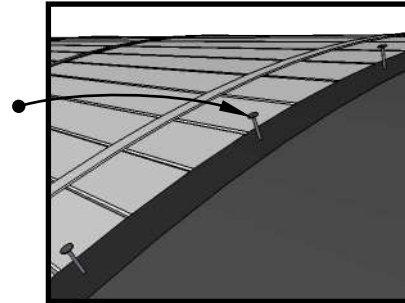
Check also underlay felt  
installation manual  
inside the package.



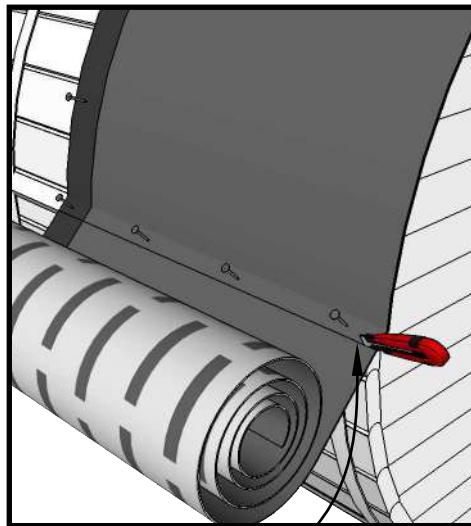
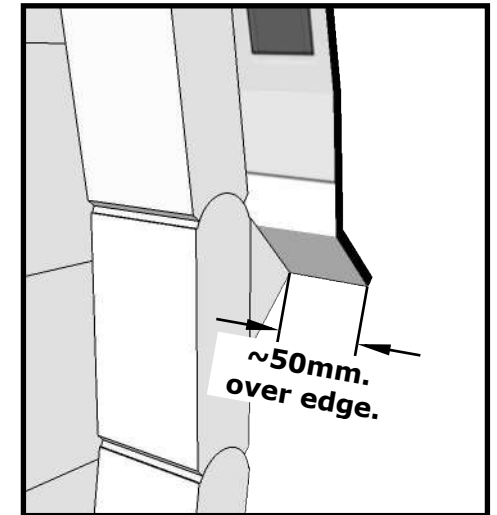
The temperature during installation should be a minimum of +10°C. In colder conditions, a hot air gun should be used.  
**Hot bitumen or torching must not be used when installing the felt.**



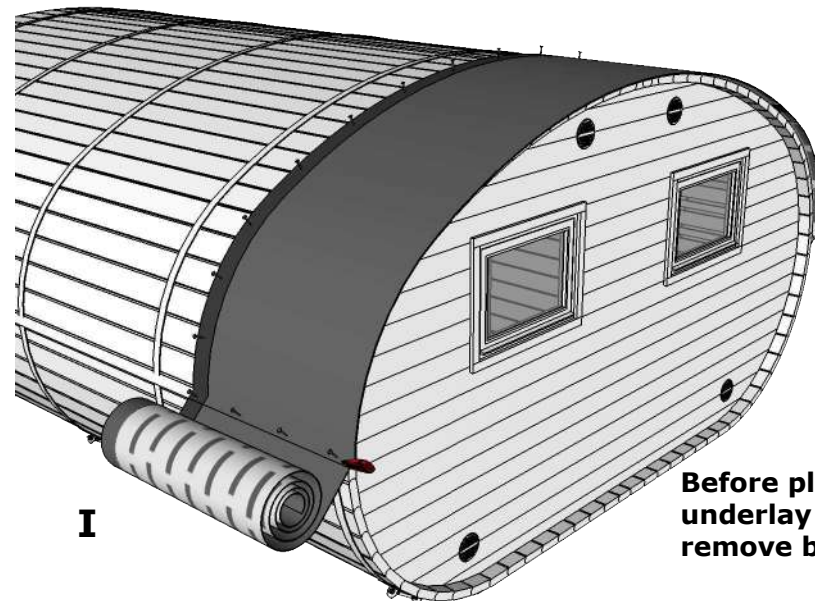
Use clout  
nails only  
on bitumen  
side.



Start from  
backside!



Cut off



I

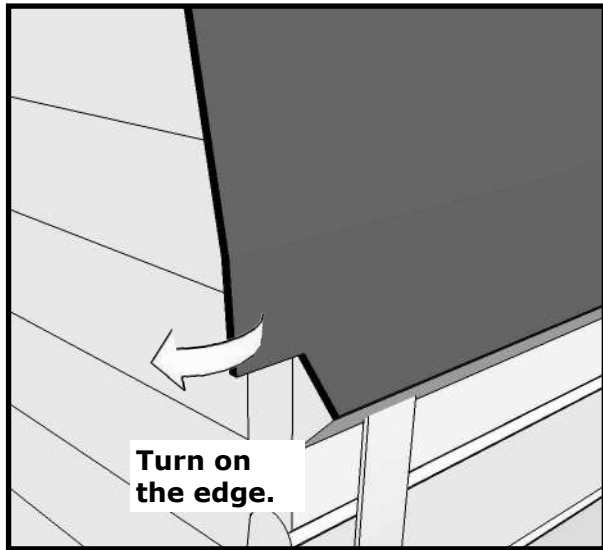
Before placing  
underlay felt,  
remove bottom film.



Place side with  
stripes against  
the wood.

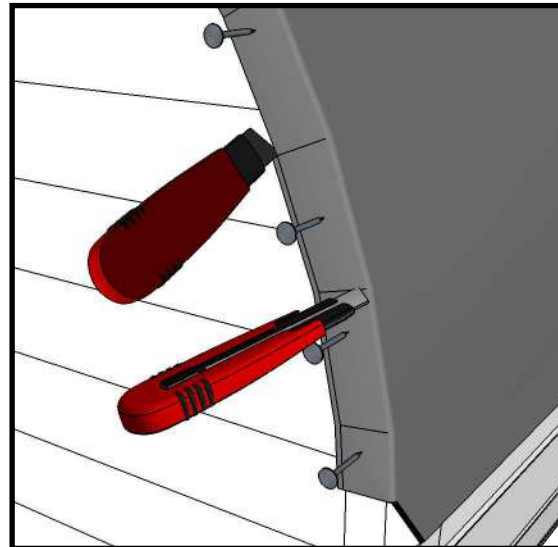
1.

(FR101)

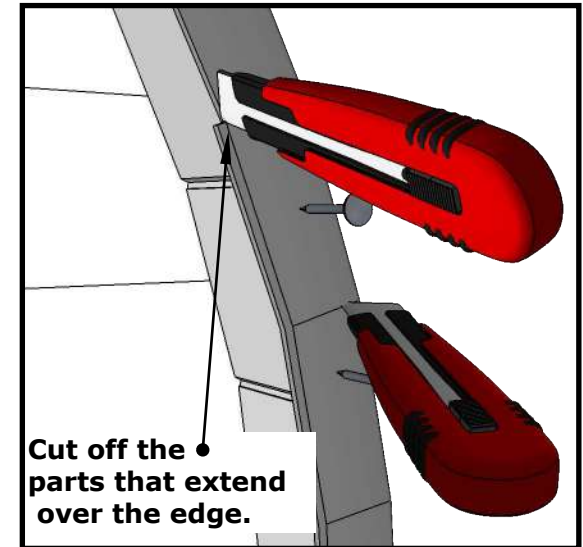


Turn on the edge.

I

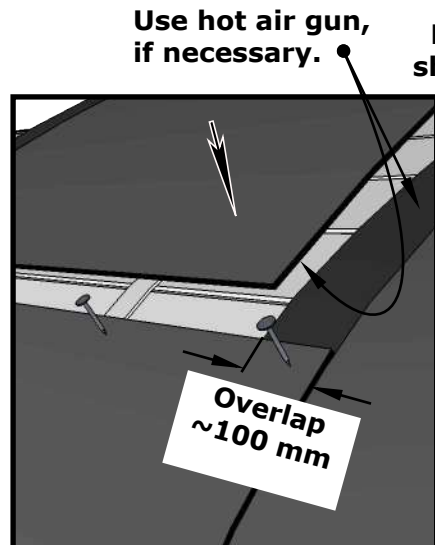


II



Cut off the parts that extend over the edge.

III

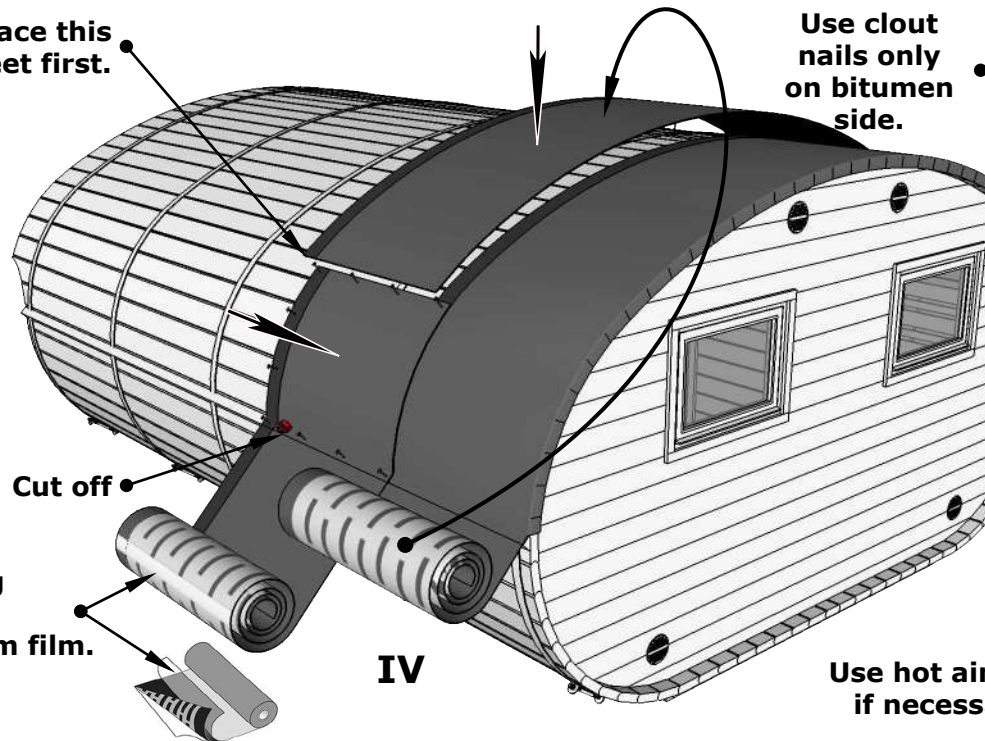


Use hot air gun, if necessary.

Place this sheet first.

Overlap ~100 mm

Before placing underlay felt, remove bottom film.

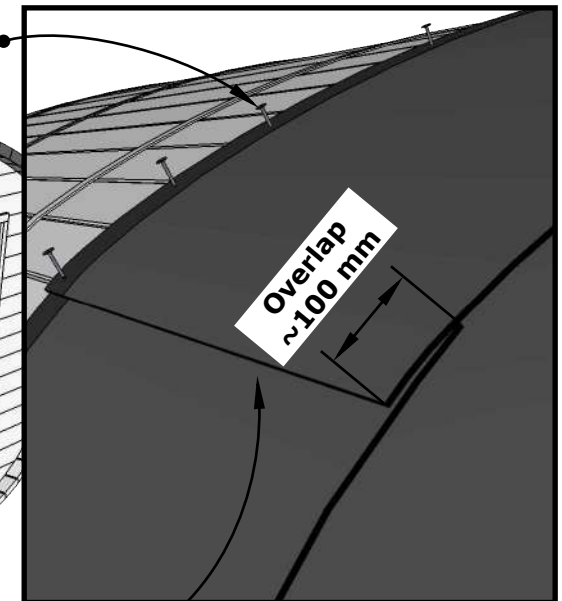


IV

Use clout nails only on bitumen side.

Cut off

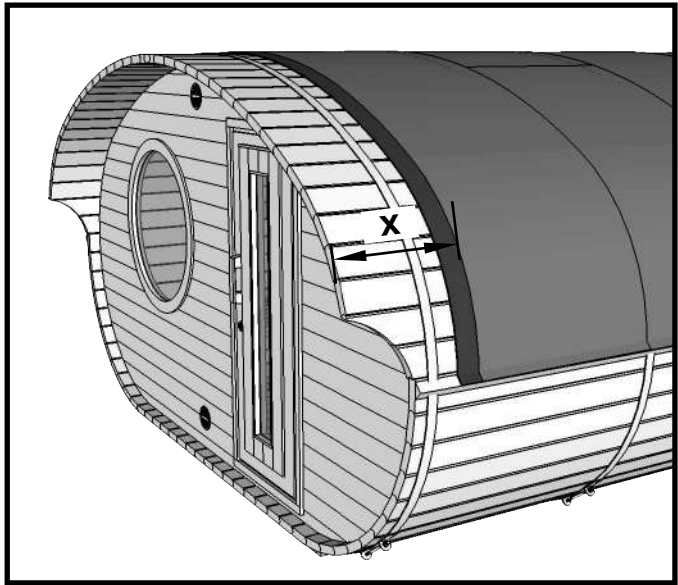
Use hot air gun, if necessary.



Overlap ~100 mm

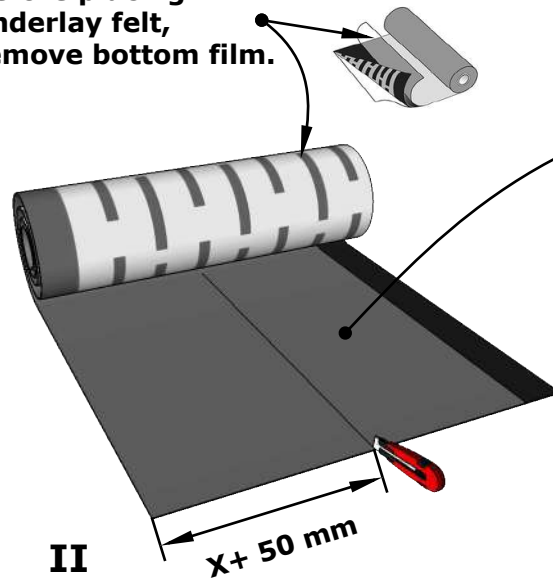
2.

(FR101)

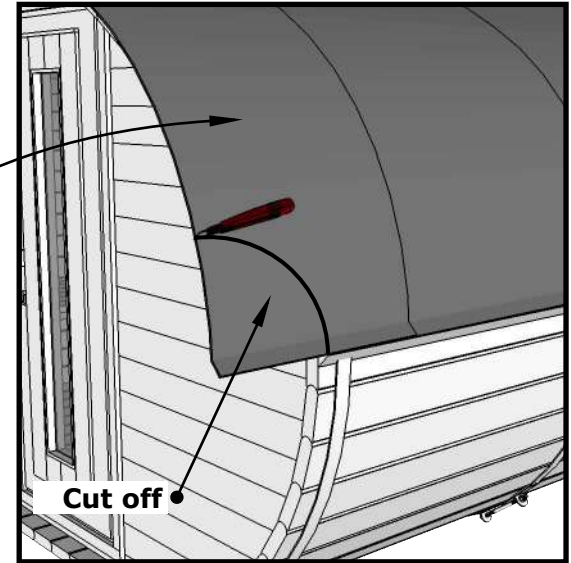


**I**

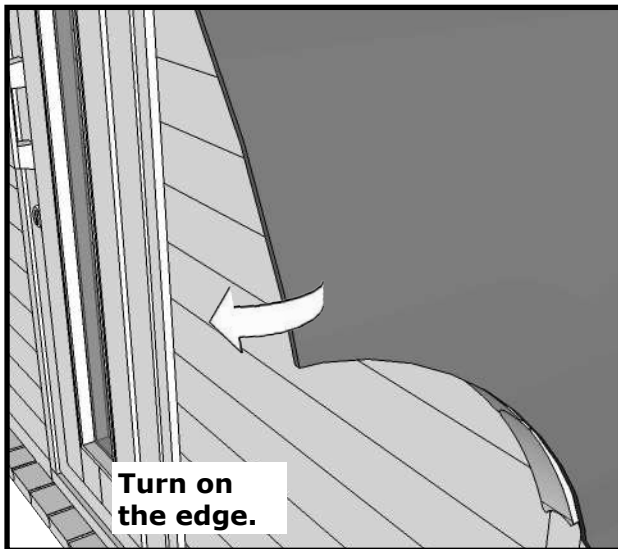
Before placing underlay felt, remove bottom film.



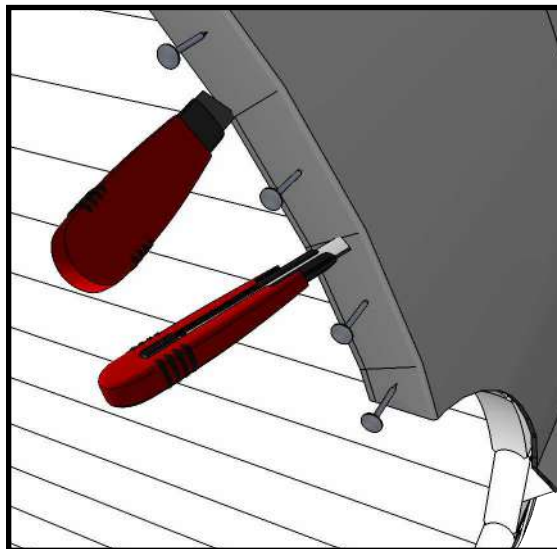
**II**



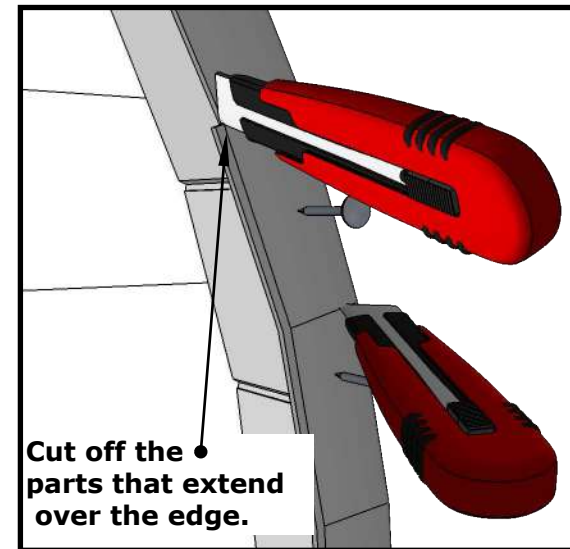
**III**



**IV**



**V**



**VI**

Continue with roof shingles.

**3.**