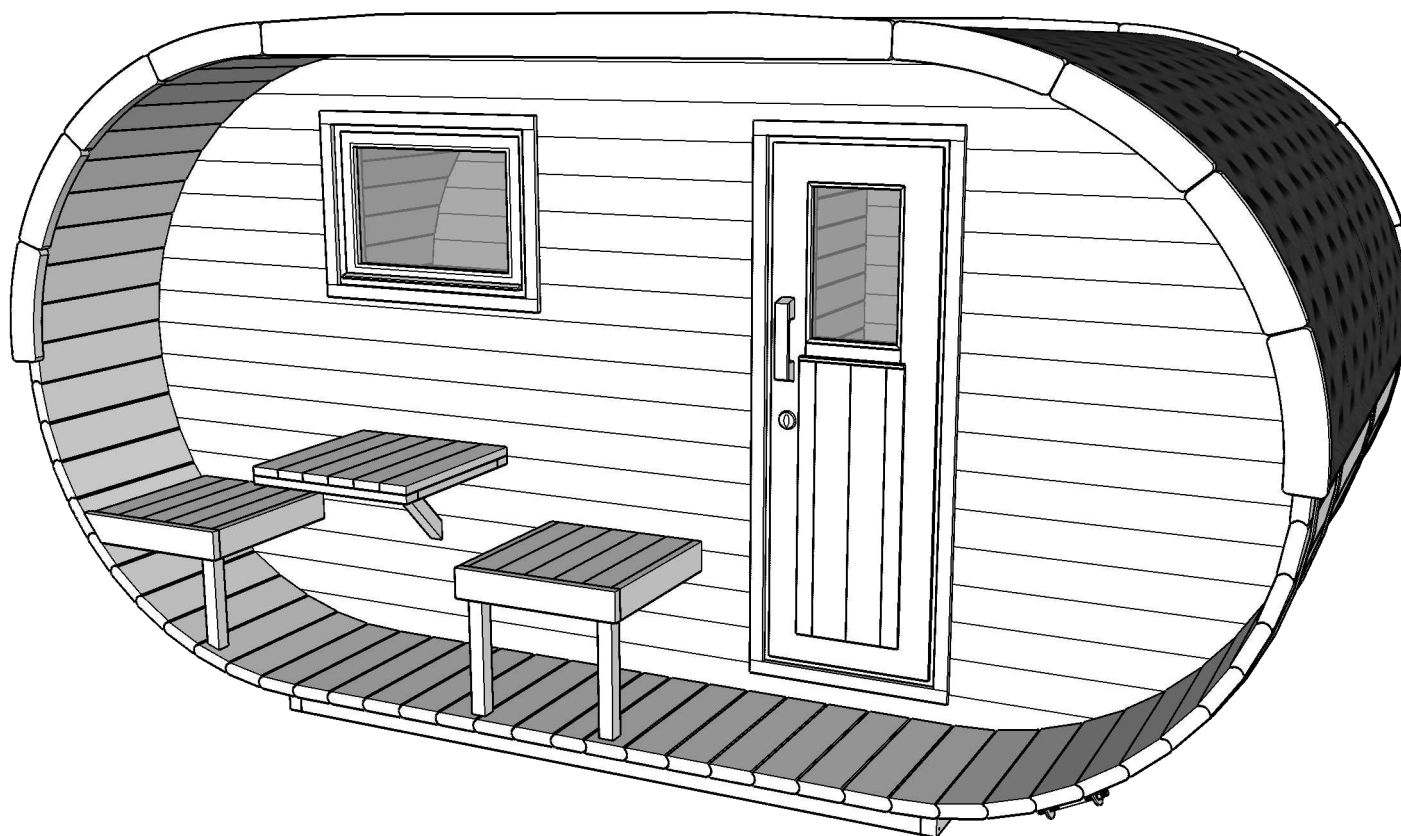


# Sauna Oval 4 x 2,4 ( TU 103 )

Please read the whole manual  
before You start.

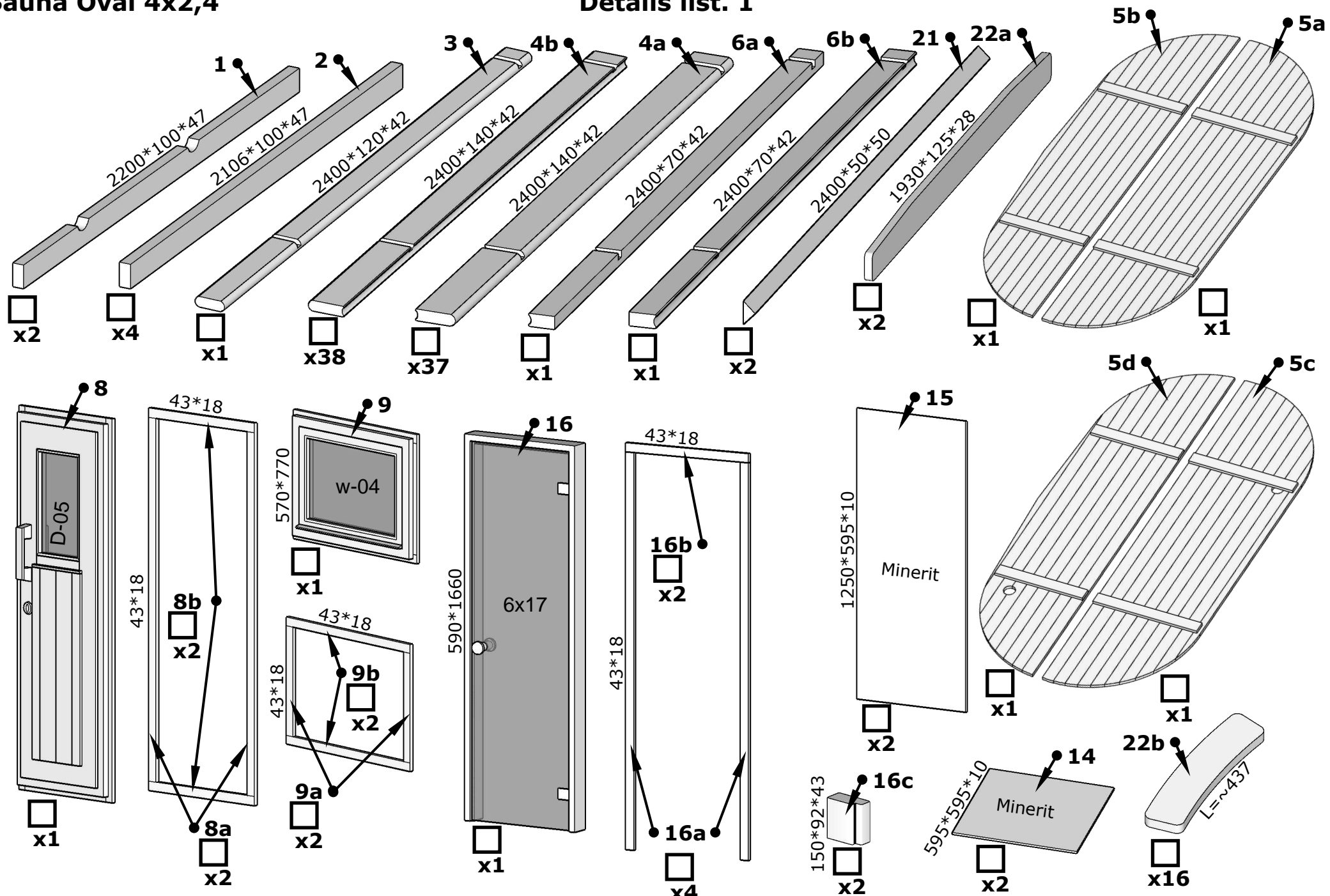
All given measurements are in millimeters



( TU 103 )

# Sauna Oval 4x2,4

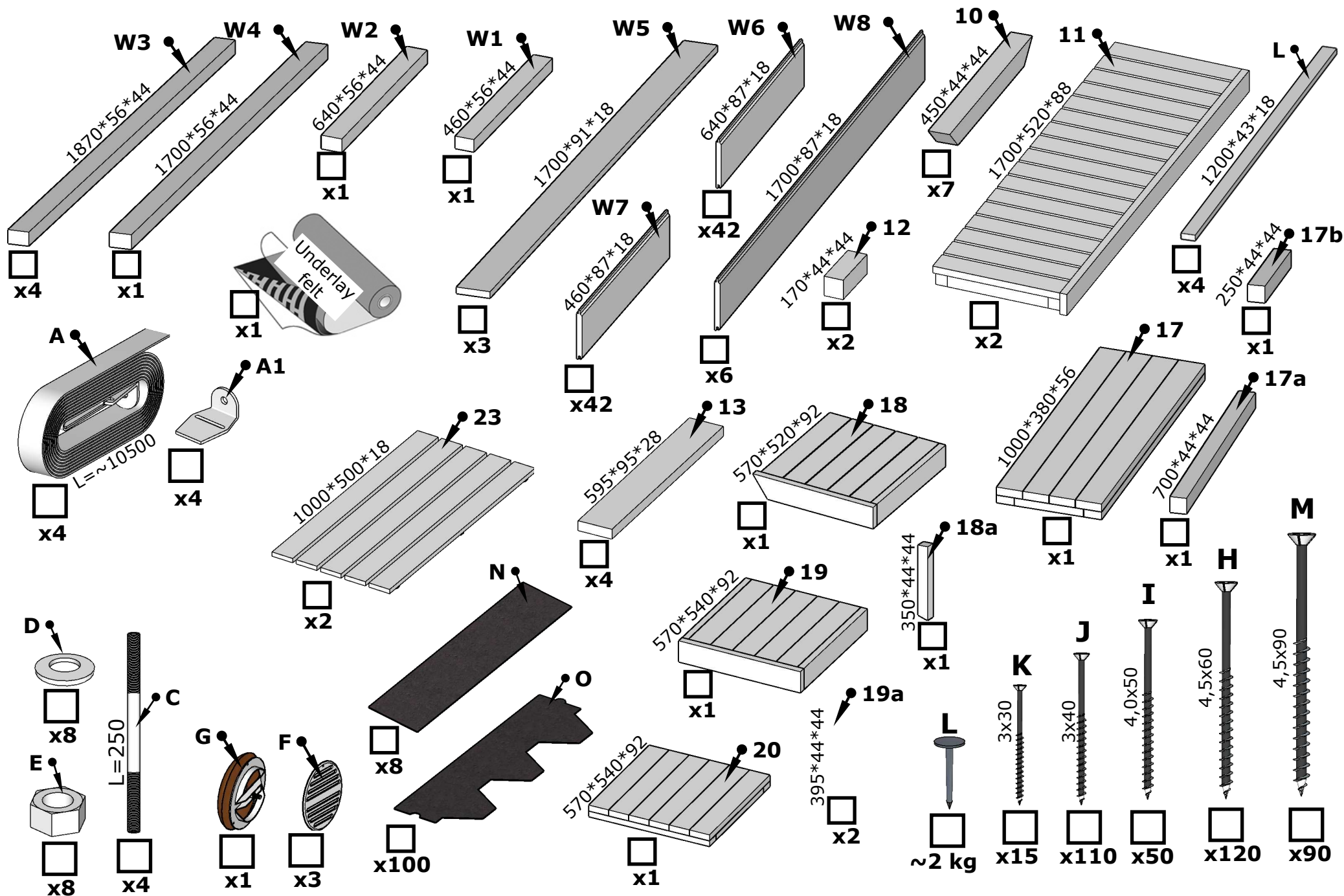
## Details list. 1



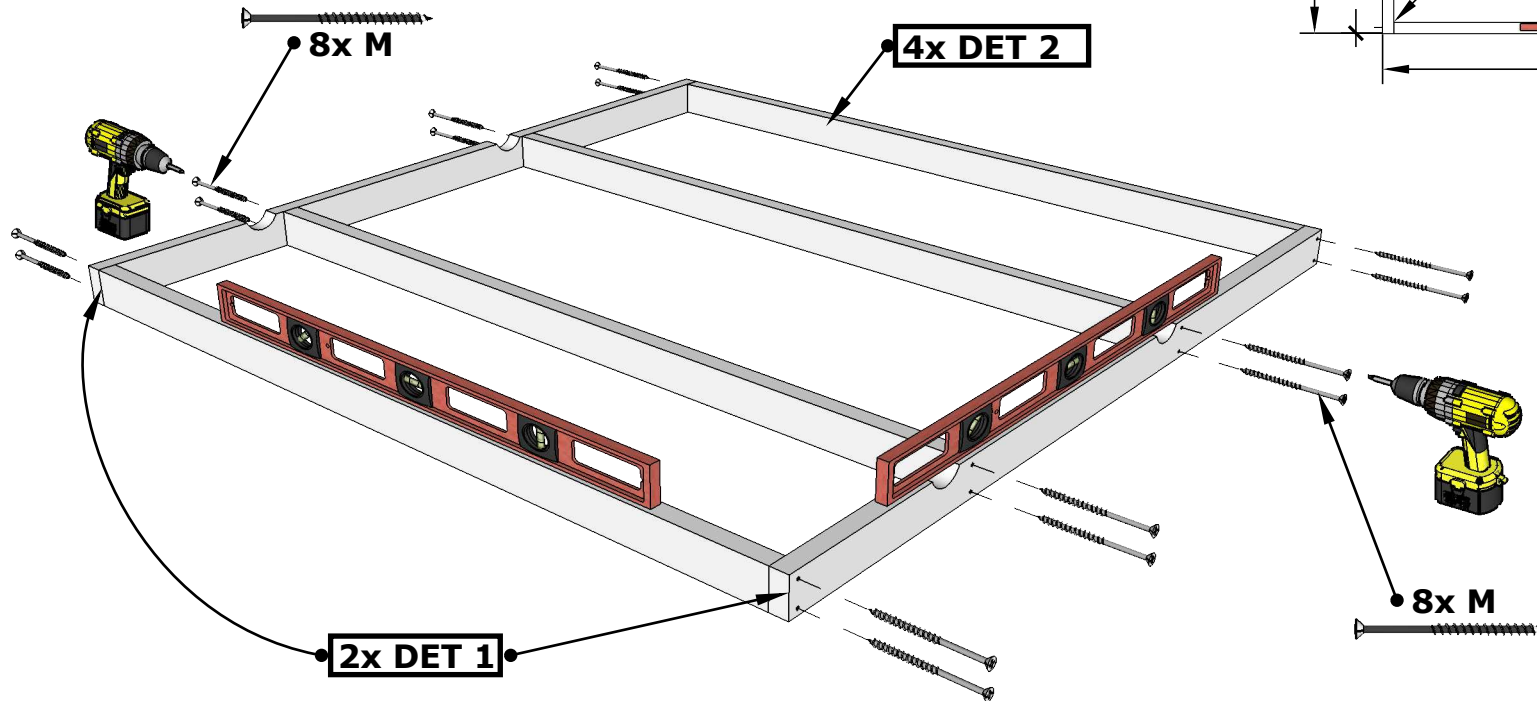
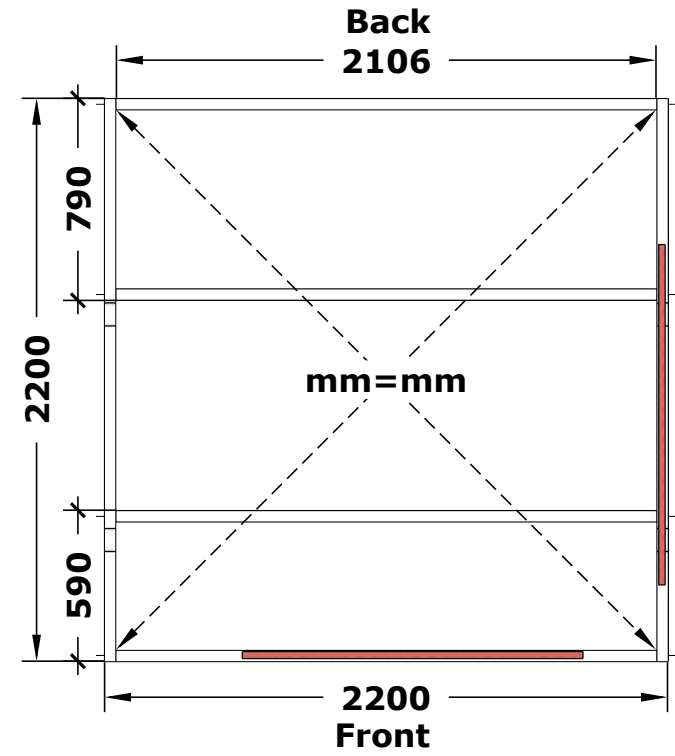
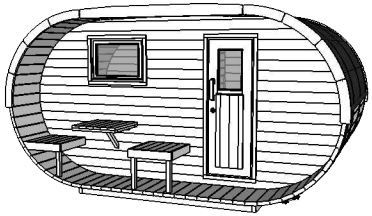
(TU 103)

# Sauna Oval 4x2,4

## Details list. 2



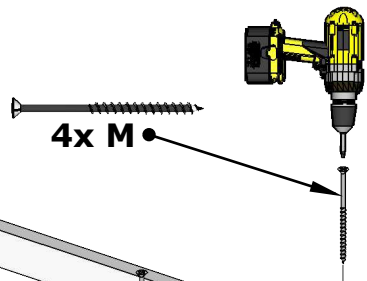
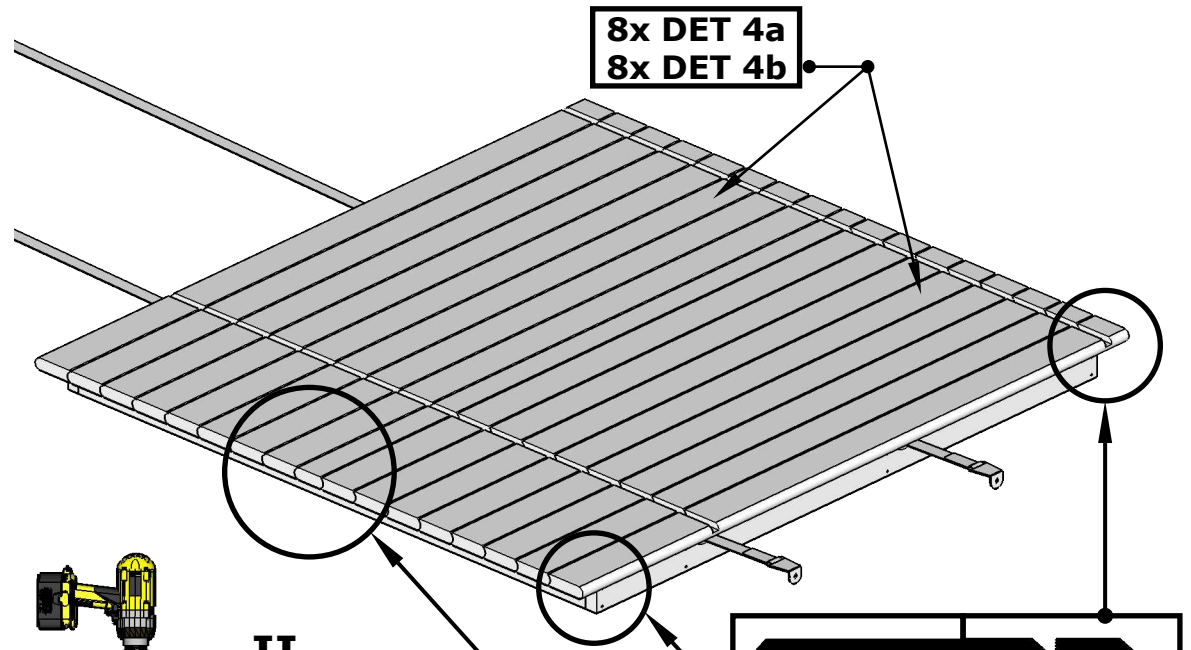
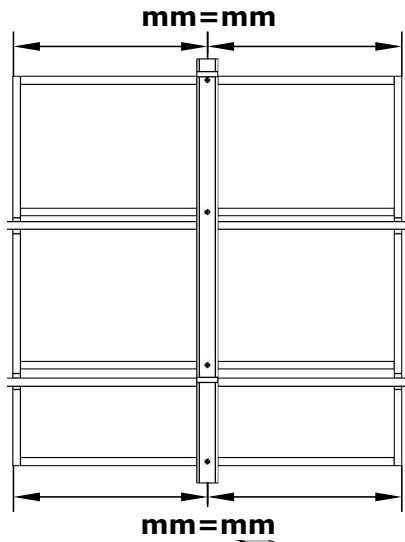
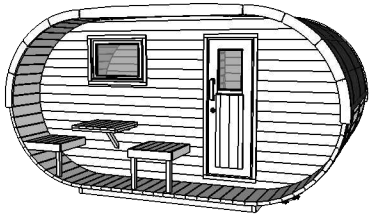
# Sauna Oval 4 x 2,4



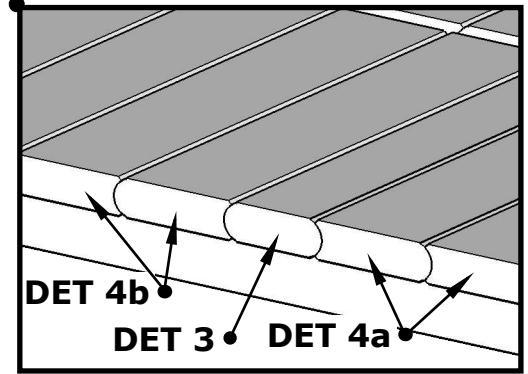
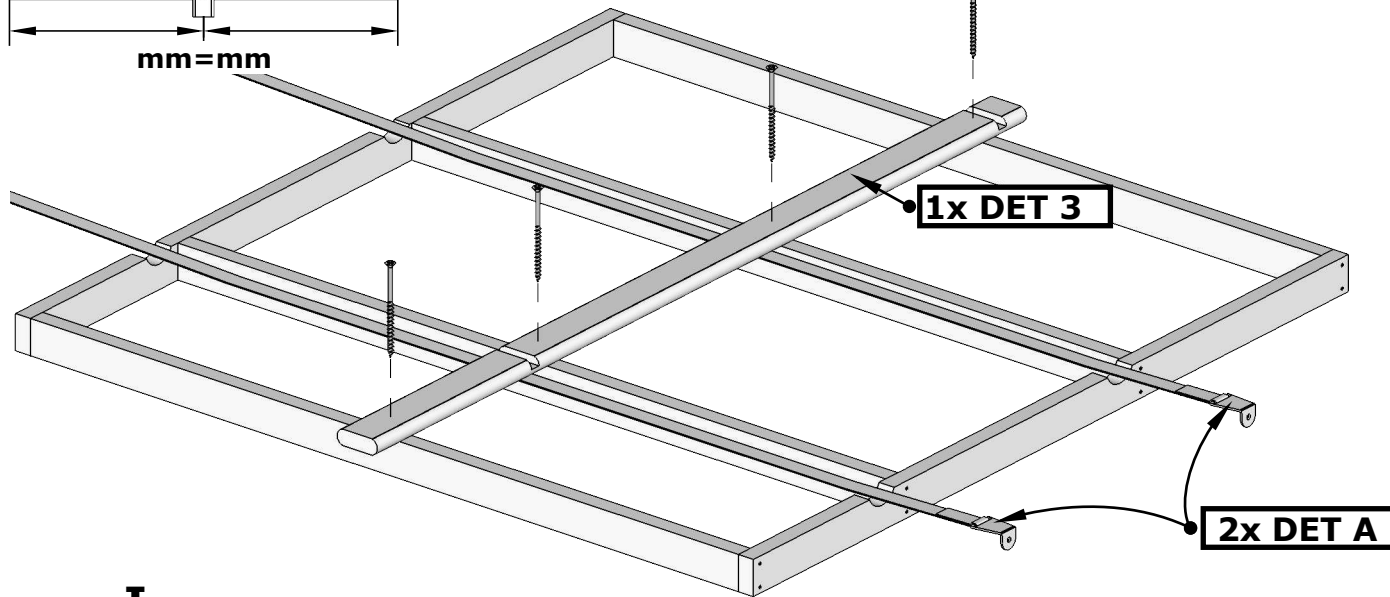
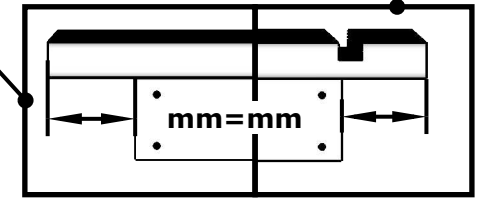
1.

( TU 103 )

# Sauna Oval 4 x 2,4



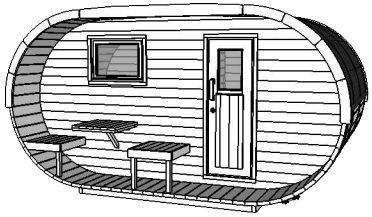
II



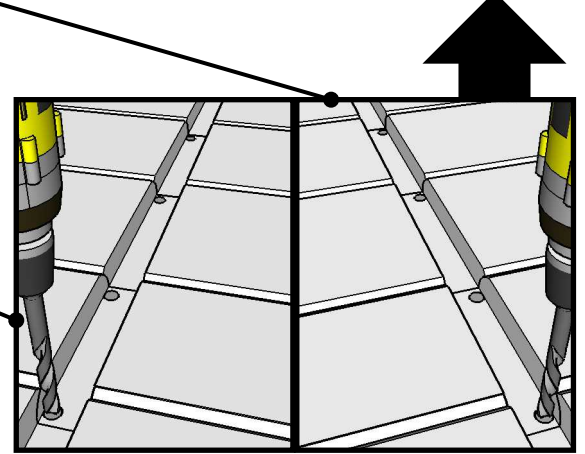
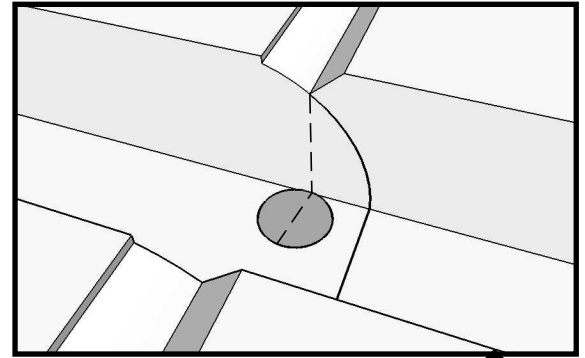
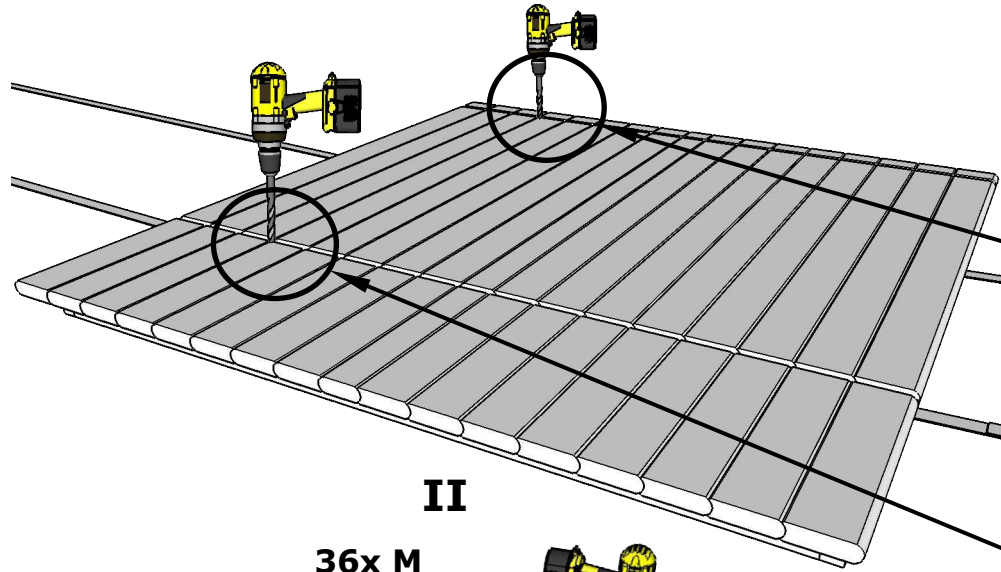
2.

I

# Sauna Oval 4 x 2,4

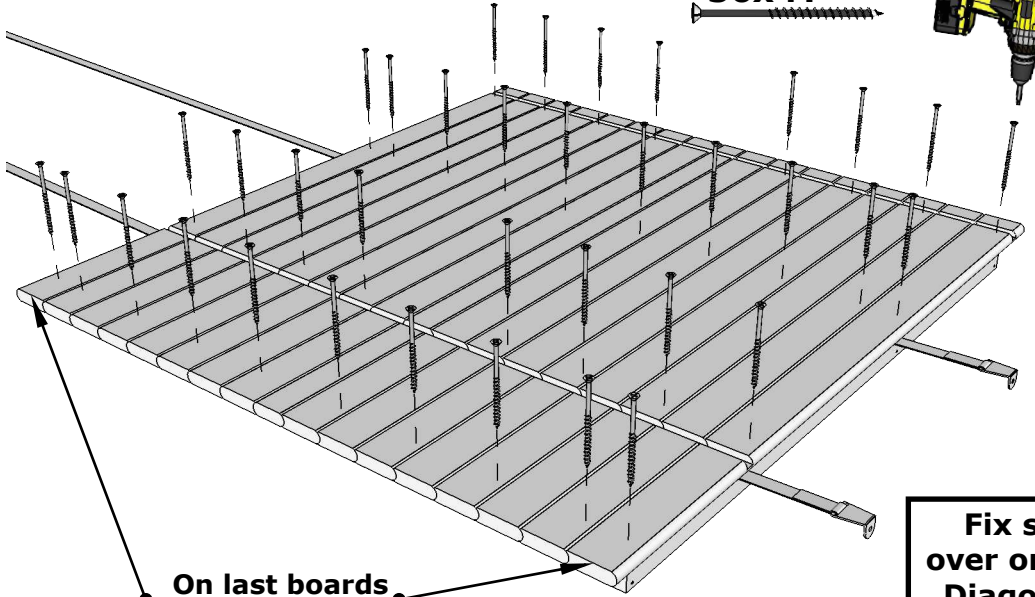


Drill Hole Ø10 in every board, outside.



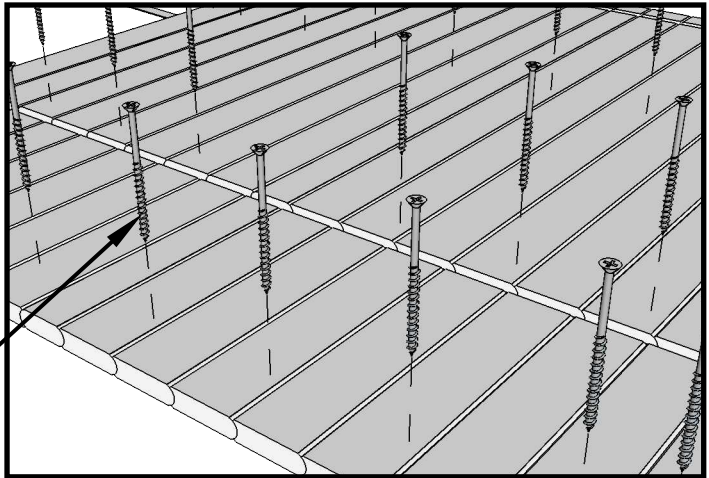
II

36x M



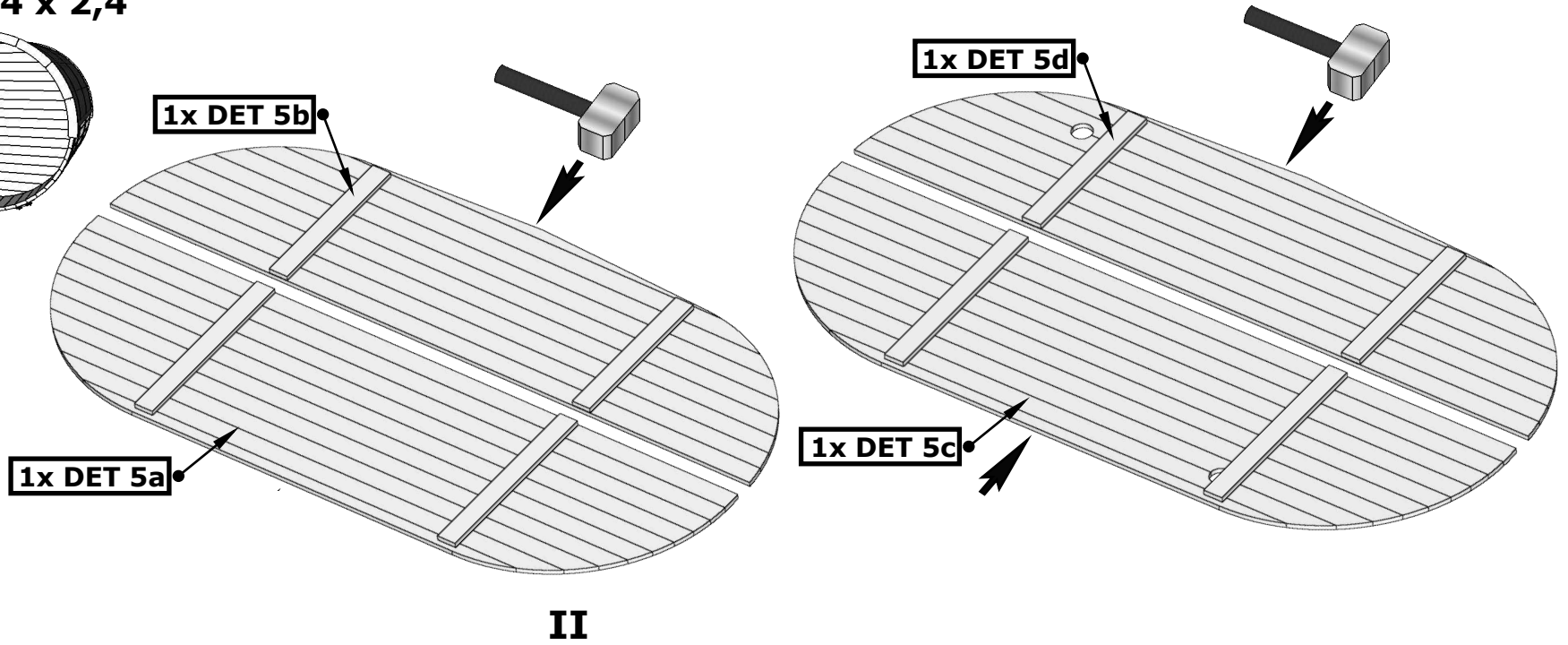
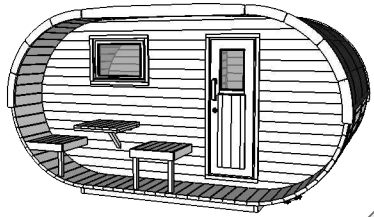
On last boards use 4 screws

Fix screws over one board! Diagonally on every board!

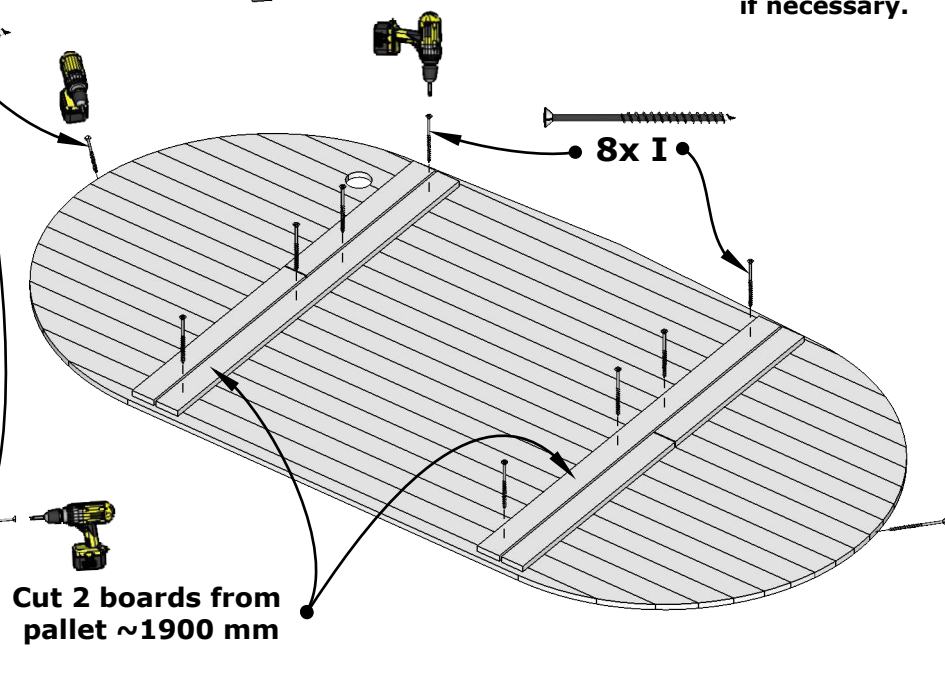
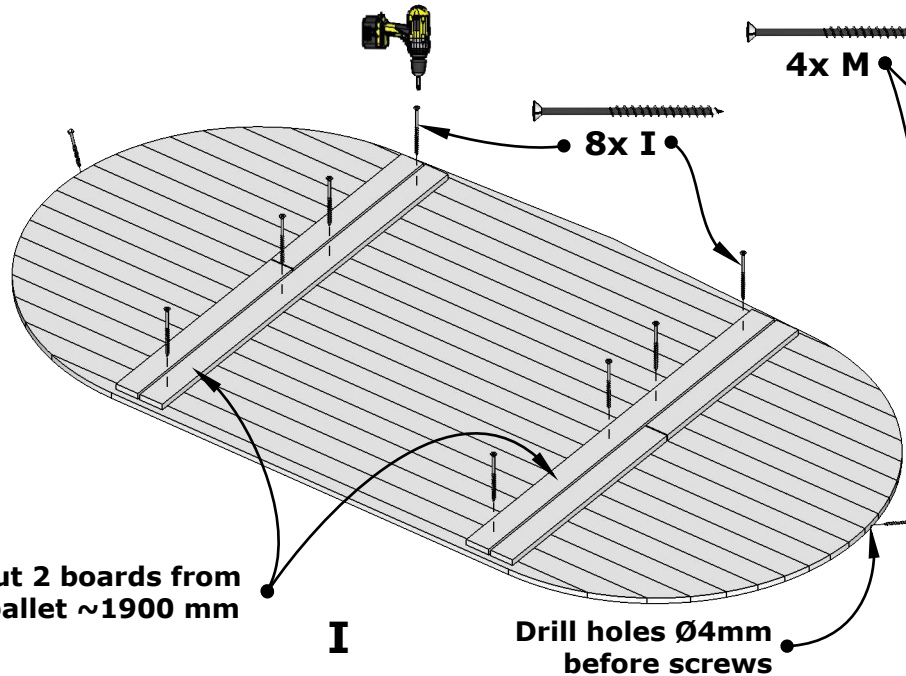
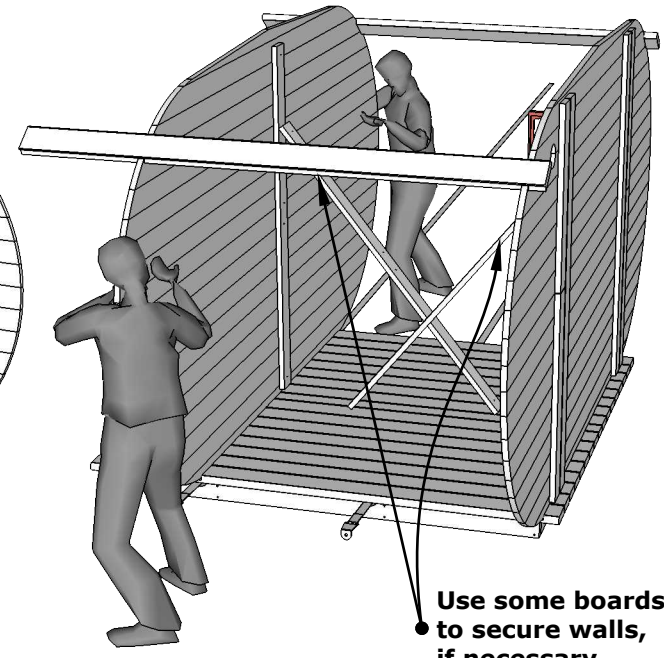
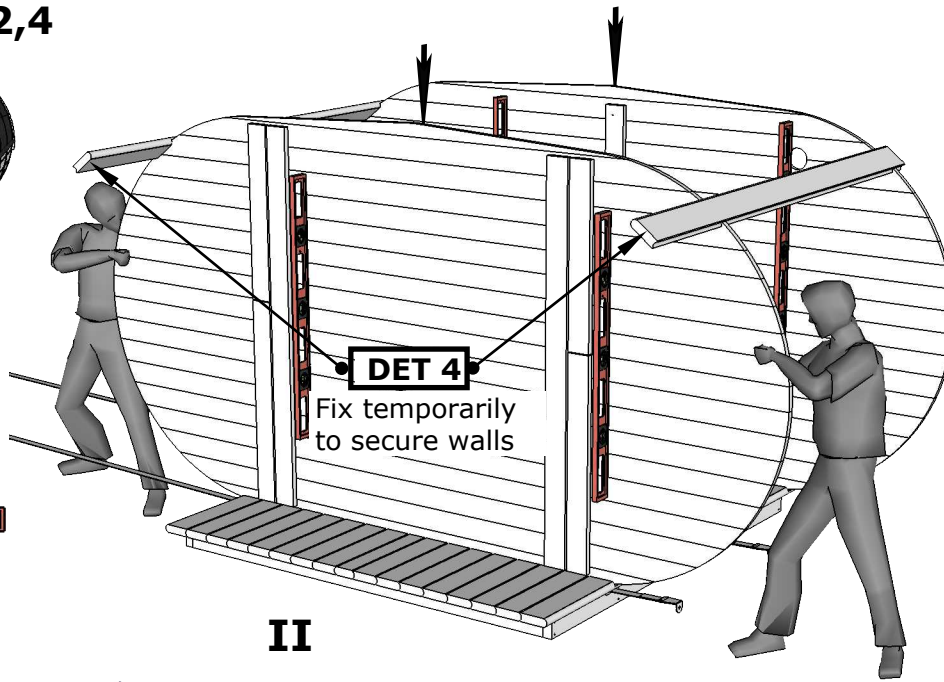
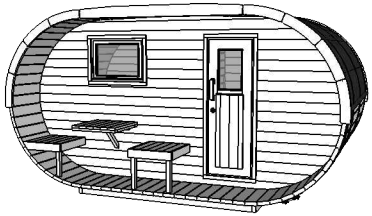


3. I

# Sauna Oval 4 x 2,4



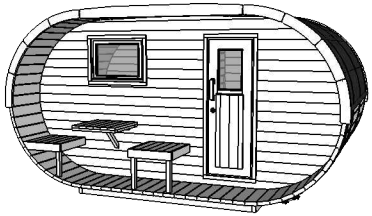
# Sauna Oval 4 x 2,4



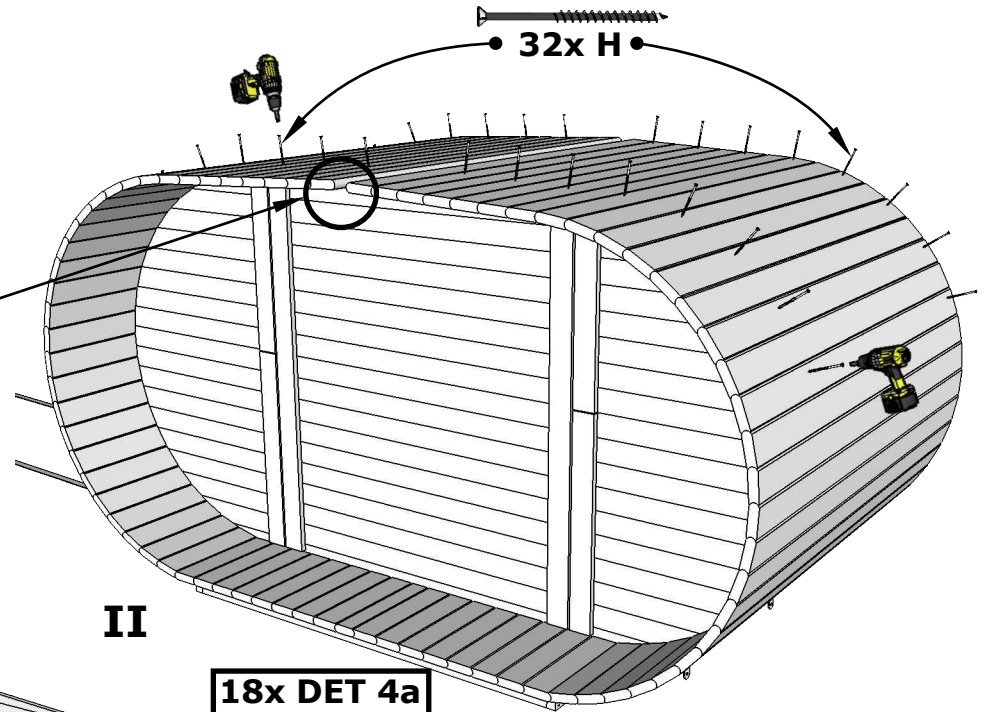
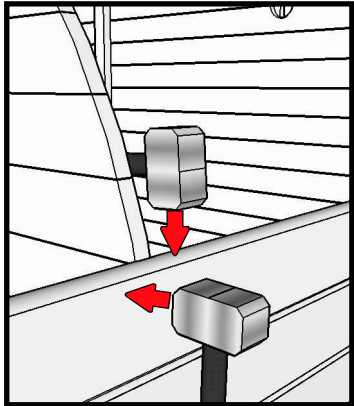
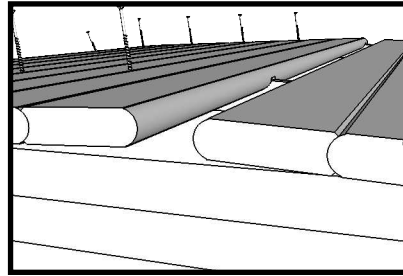
5.



# Sauna Oval 4 x 2,4

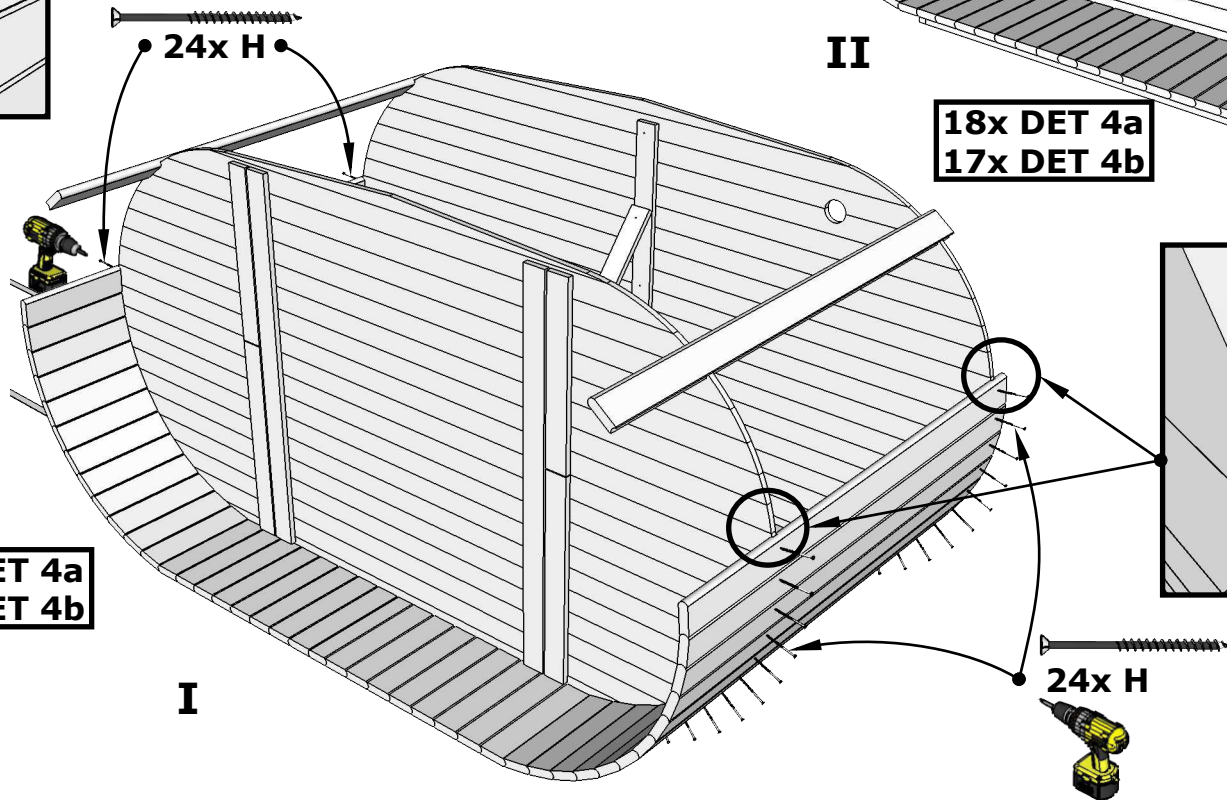


Watch Page 7



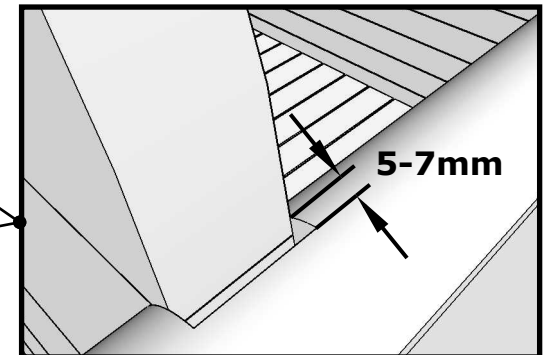
II

18x DET 4a  
17x DET 4b



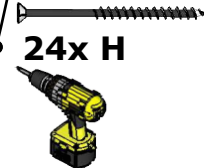
12x DET 4a  
12x DET 4b

I



5-7mm

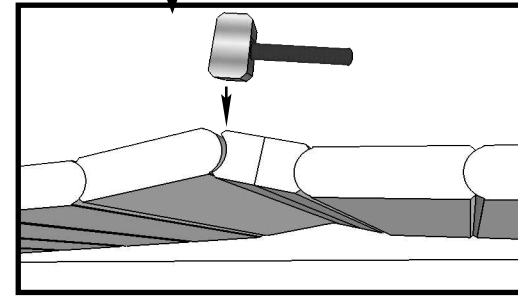
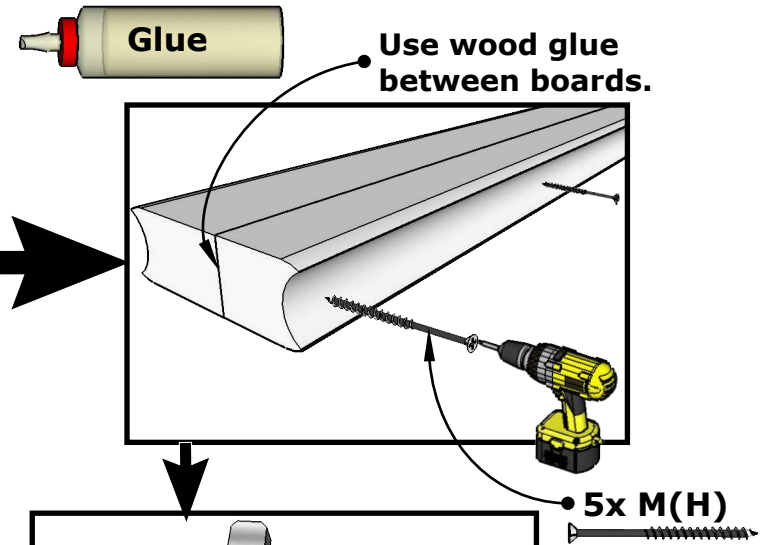
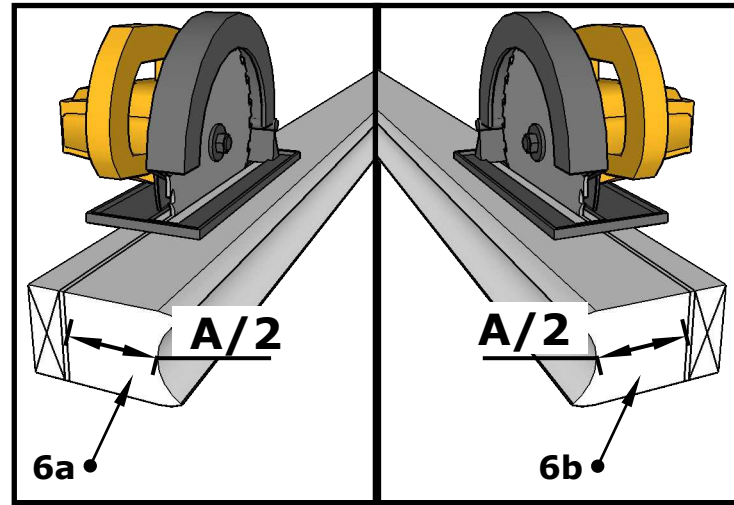
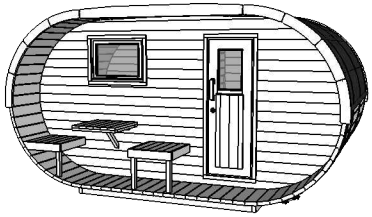
NB! Don't leave space, if using thermal wood!!!



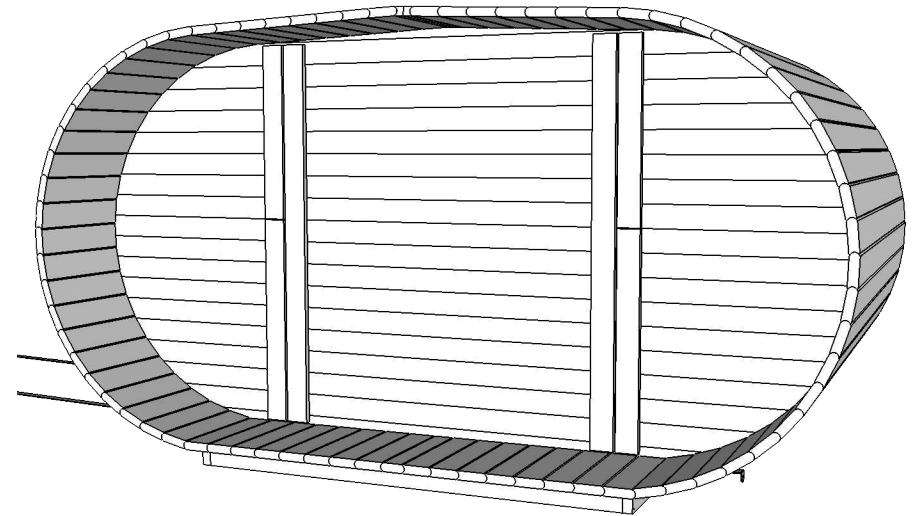
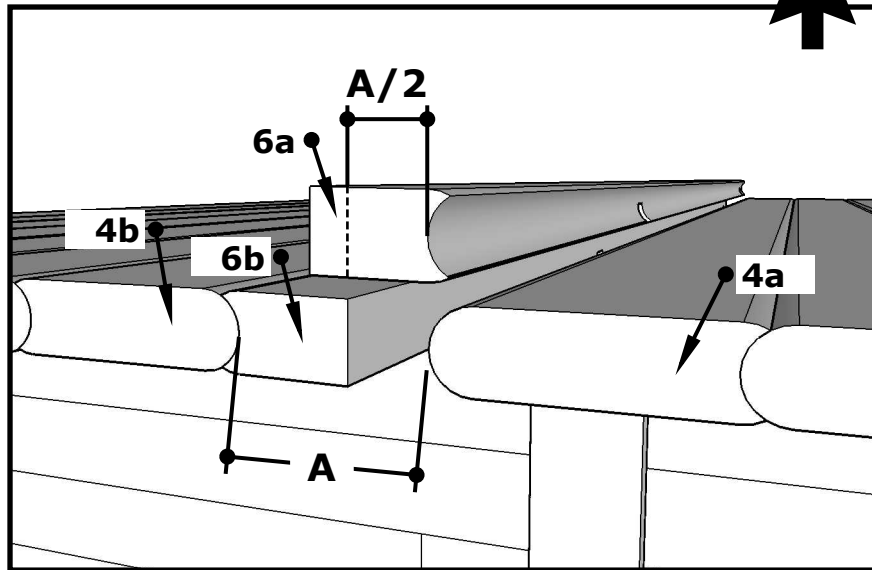
24x H

6.

# Sauna Oval 4 x 2,4



**Important!!!**

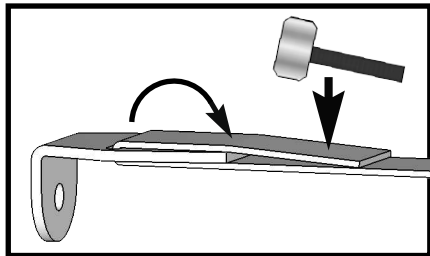
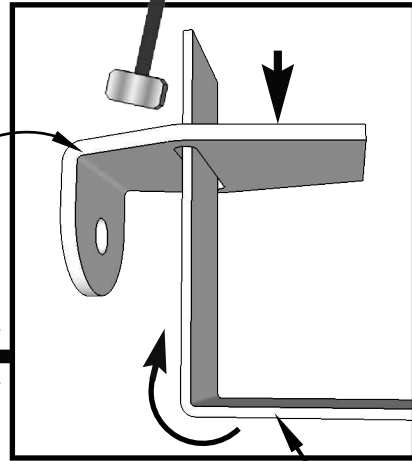


**7.**

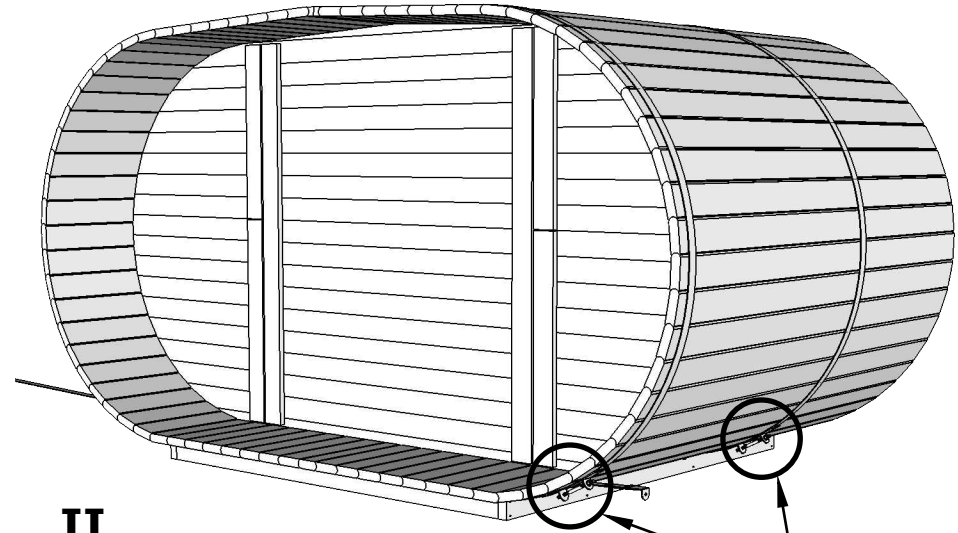
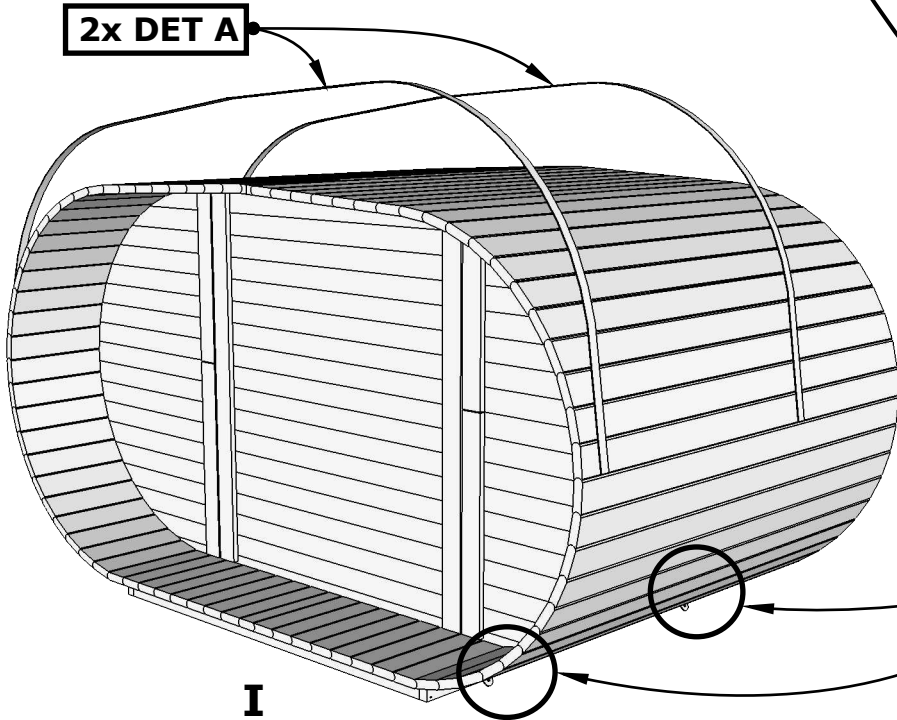
# Sauna Oval 4 x 2,4



DET A1

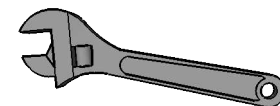
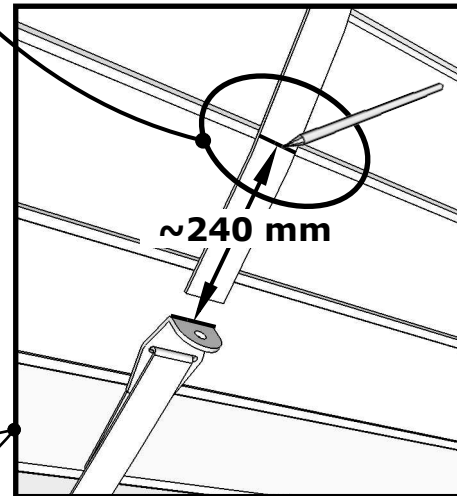
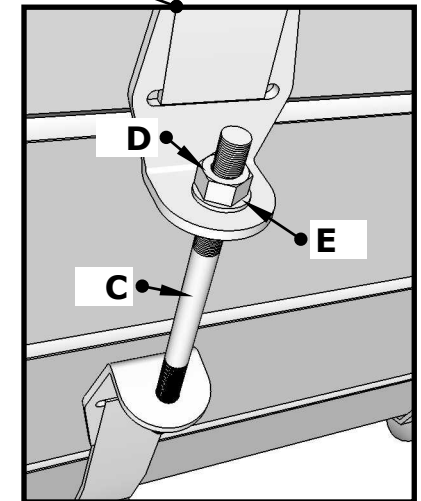


2x DET A



II

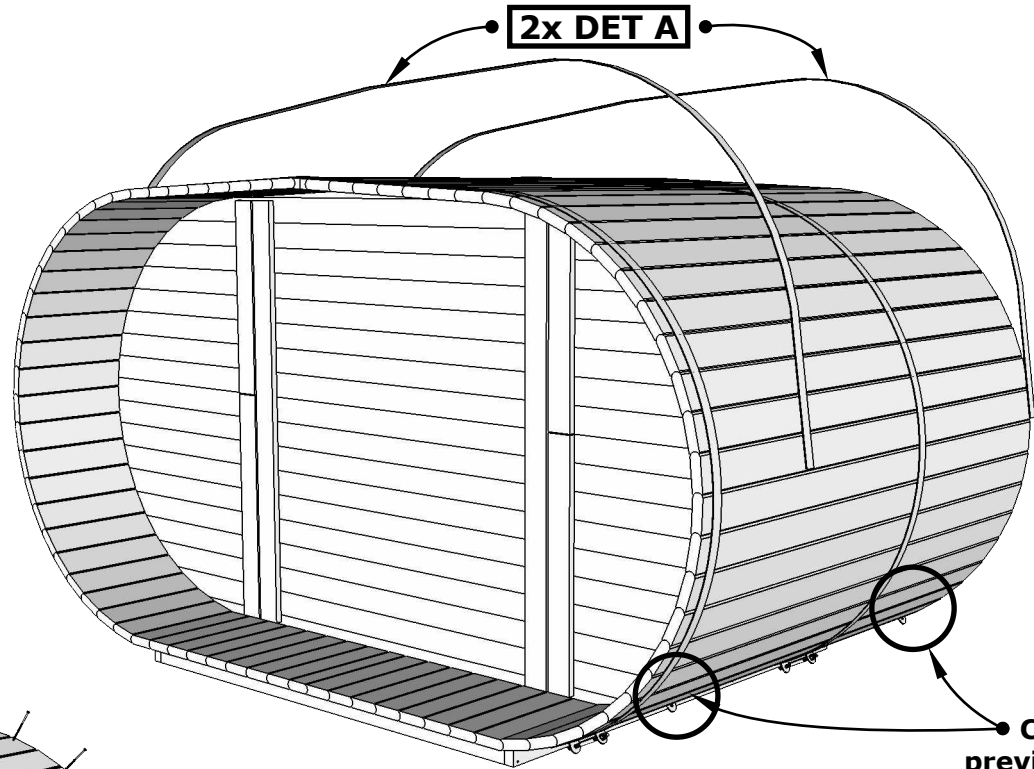
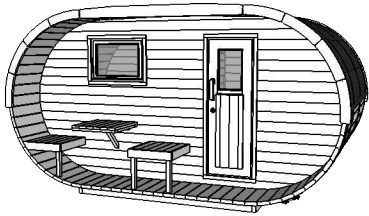
During assembly and retightening the threaded rods, use oil (Würth HPS 1400 or similar) to avoid "cold welding" and it is also easier tightening.



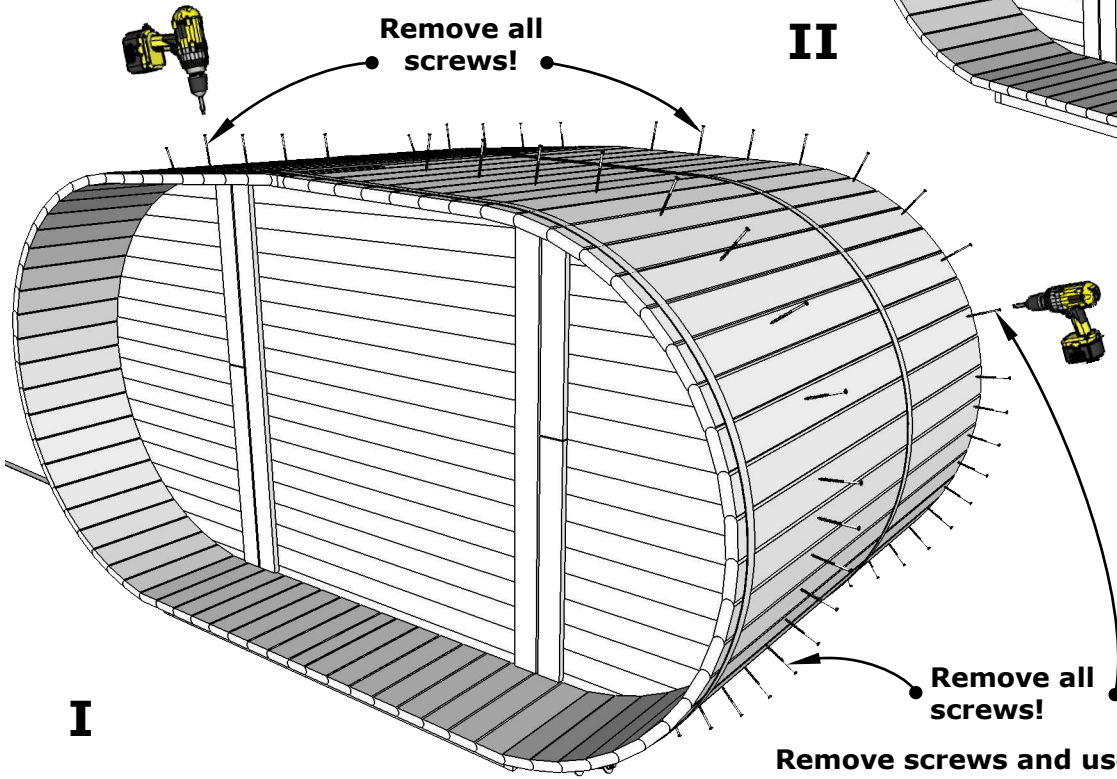
8.

I

# Sauna Oval 4 x 2,4



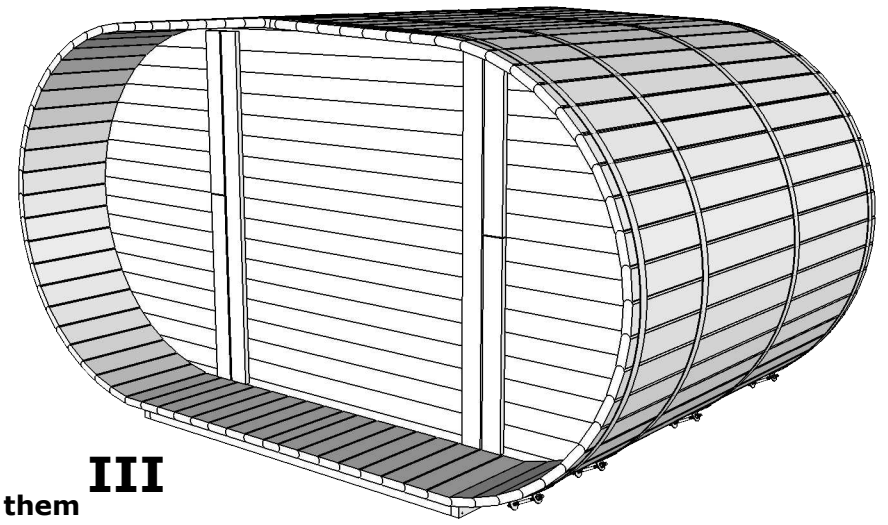
Check previous page



Remove all screws!

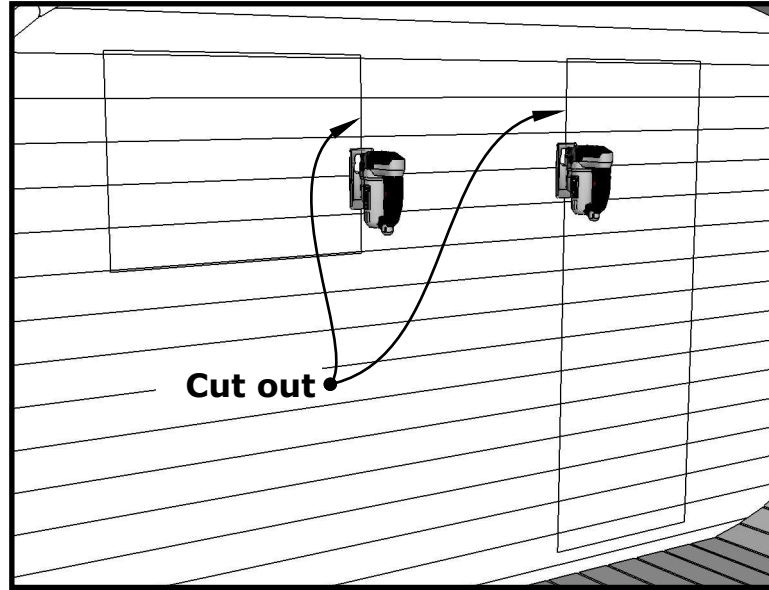
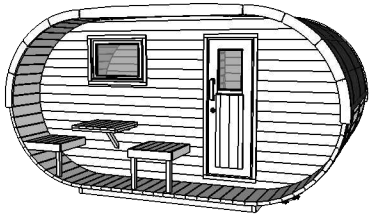
Remove all screws!

Remove screws and use them on further sauna installation.

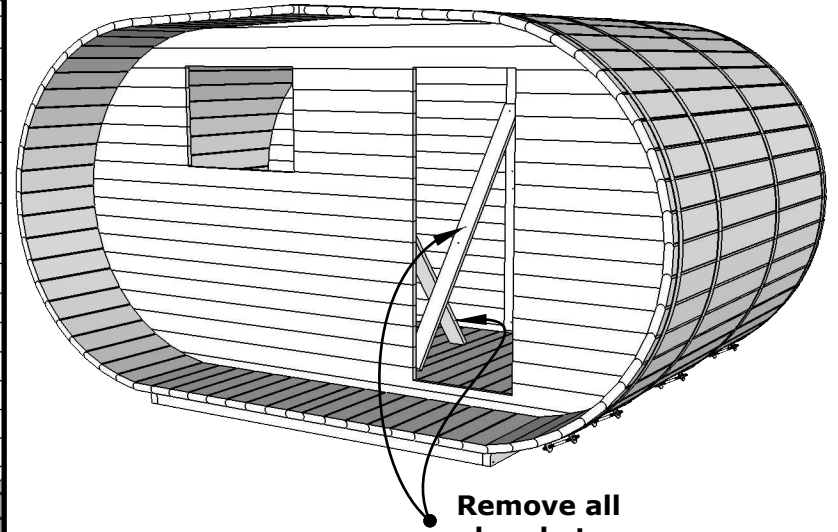


9.

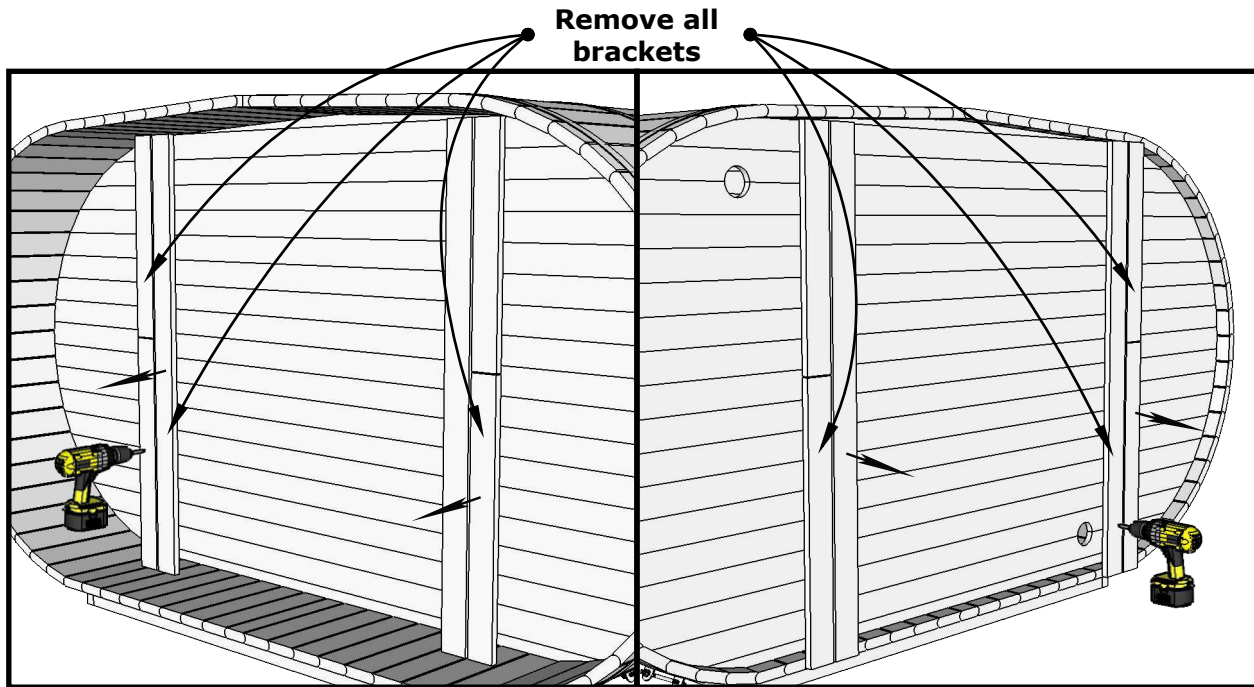
# Sauna Oval 4 x 2,4



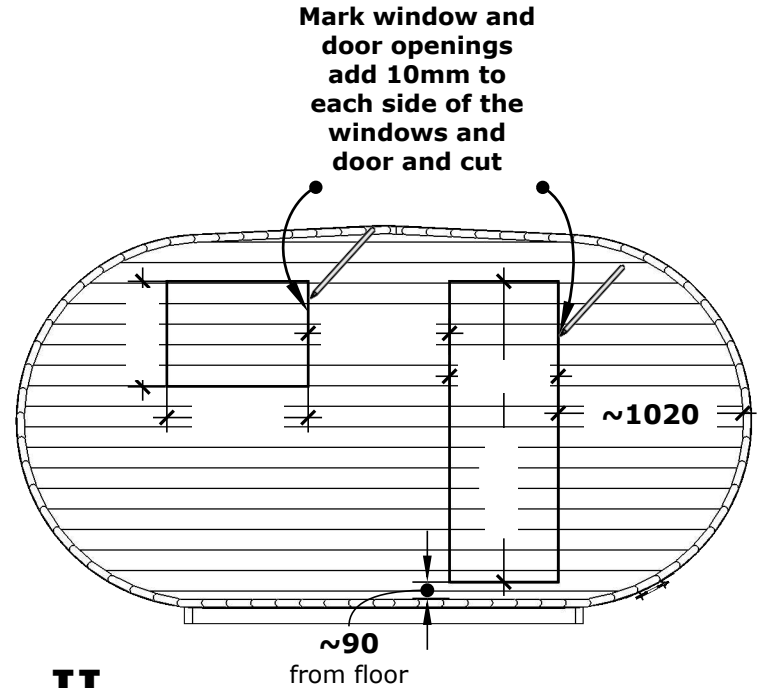
**III**



**IV**

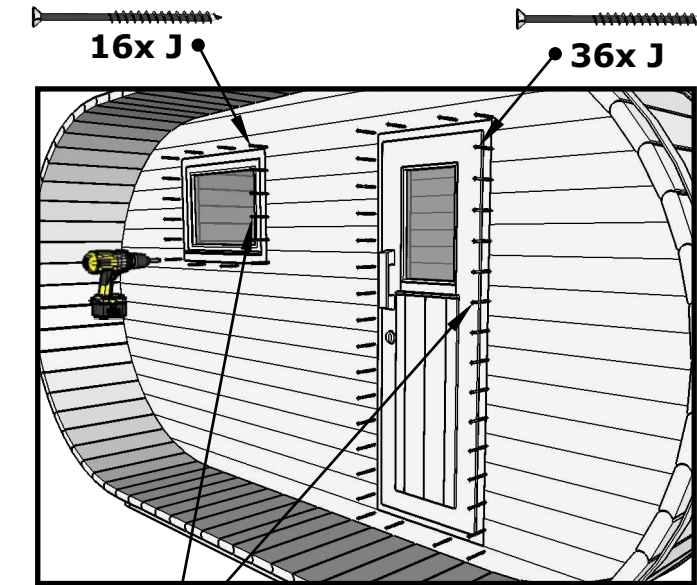
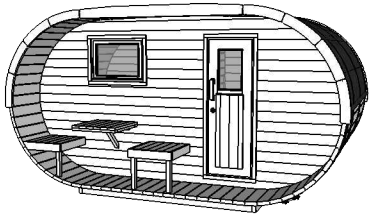


**10. I**



**II**

# Sauna Oval 4 x 2,4

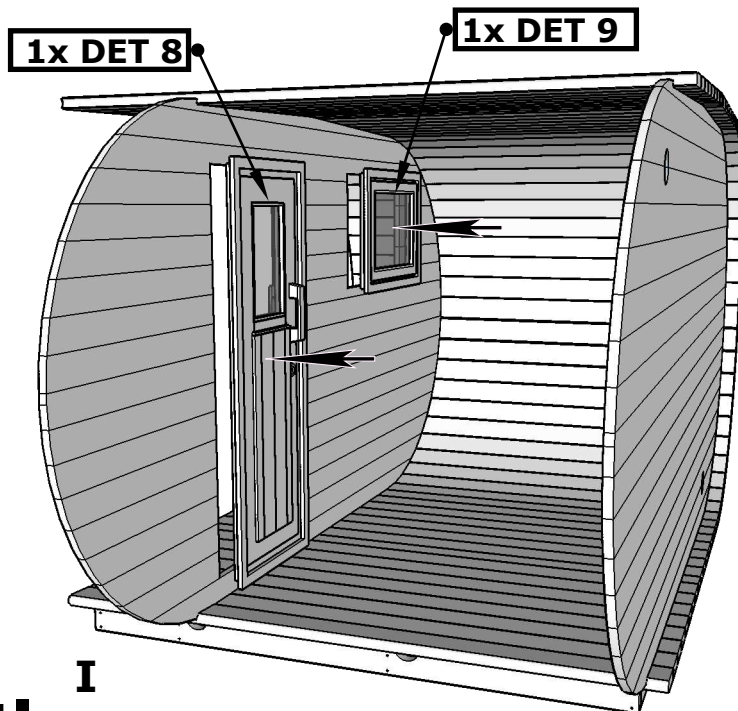


**II**

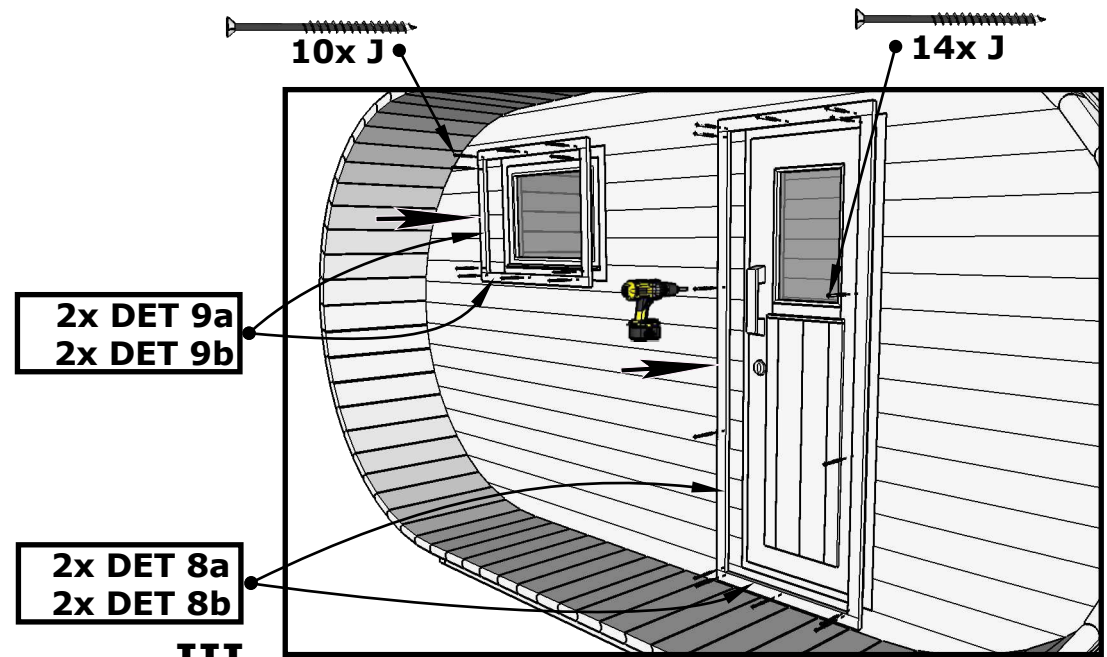
**NB! Vertically fix screw in every board.**



**IV**



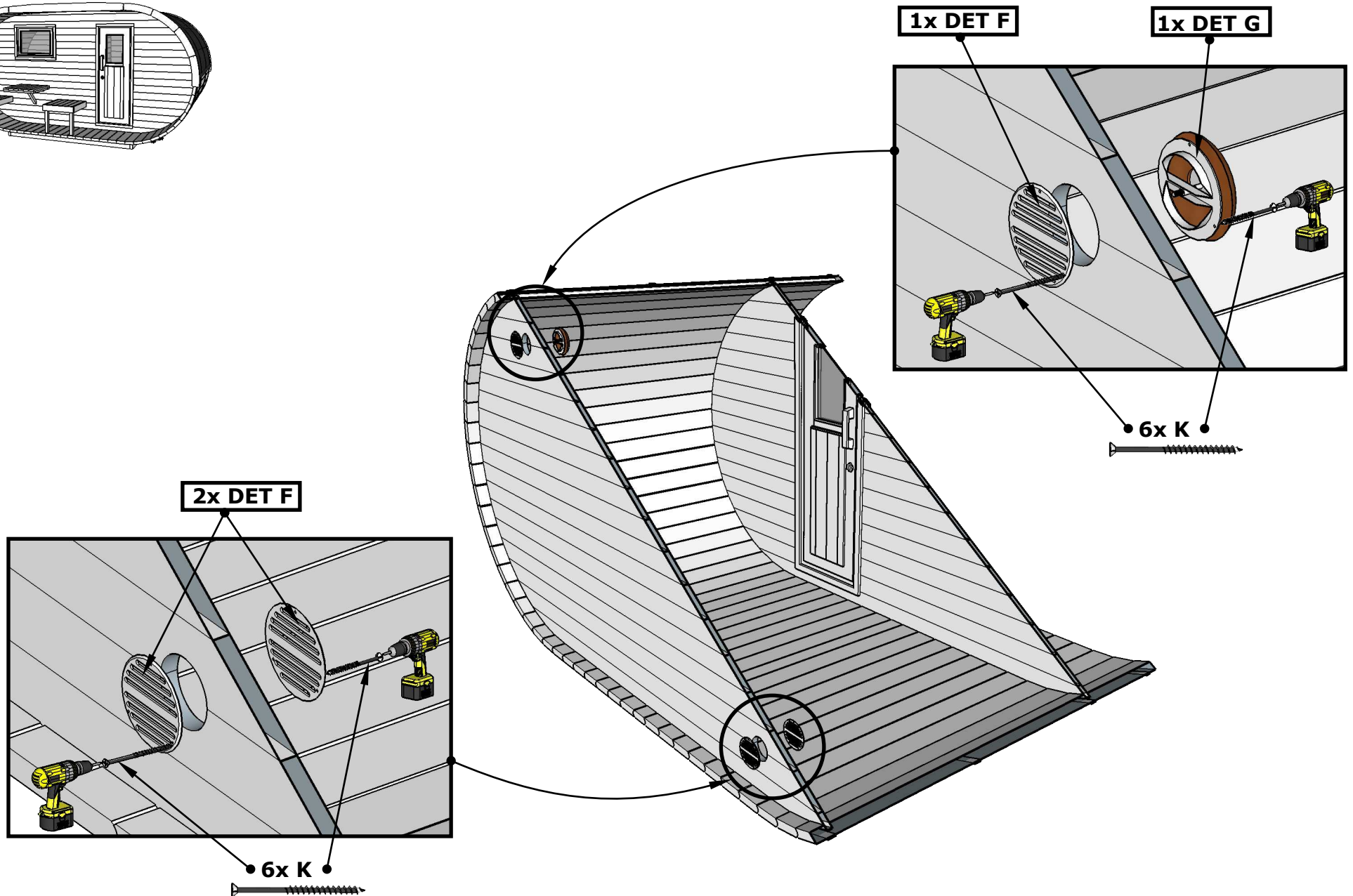
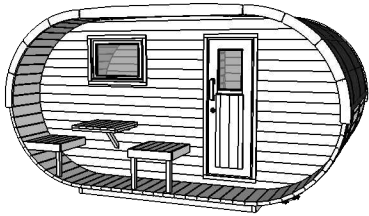
**11. I**



**III**

( TU 103 )

# Sauna Oval 4 x 2,4



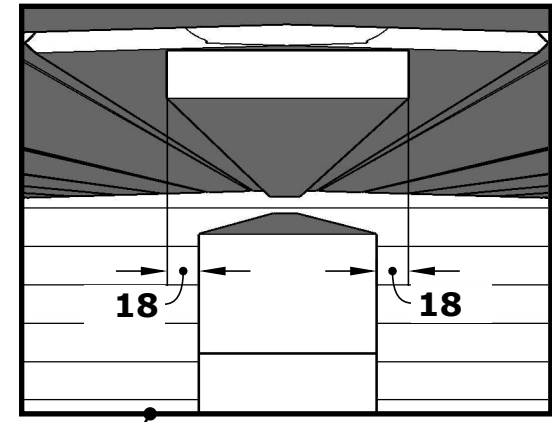
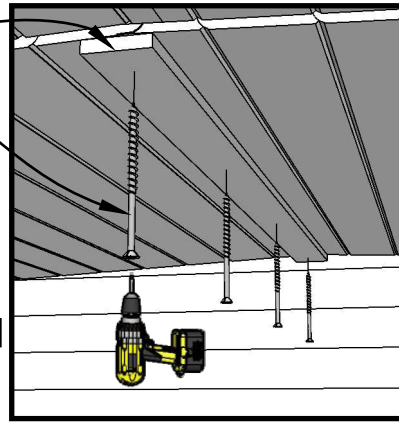
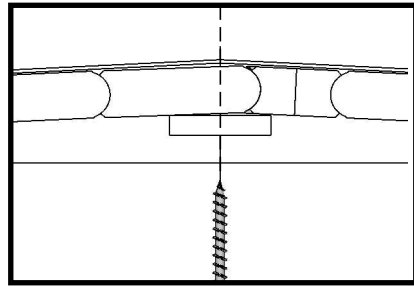
# Sauna Oval 4 x 2,4



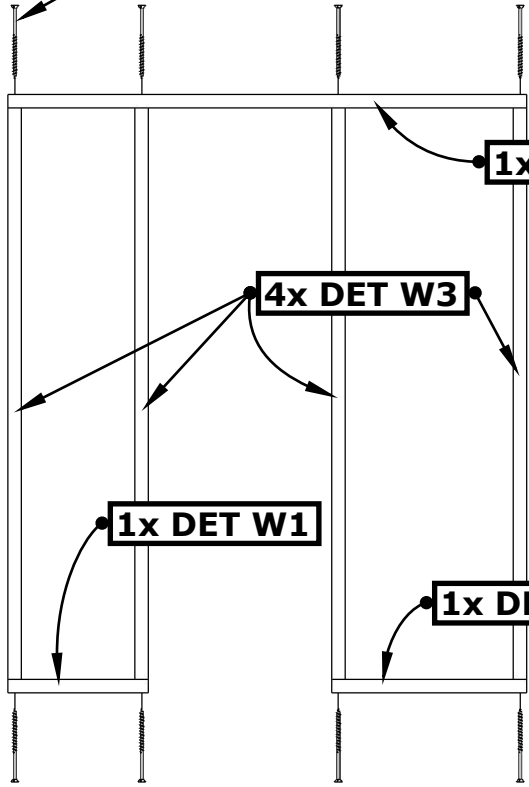
Sauna midpoint

1x DET W5

4x I



8x M

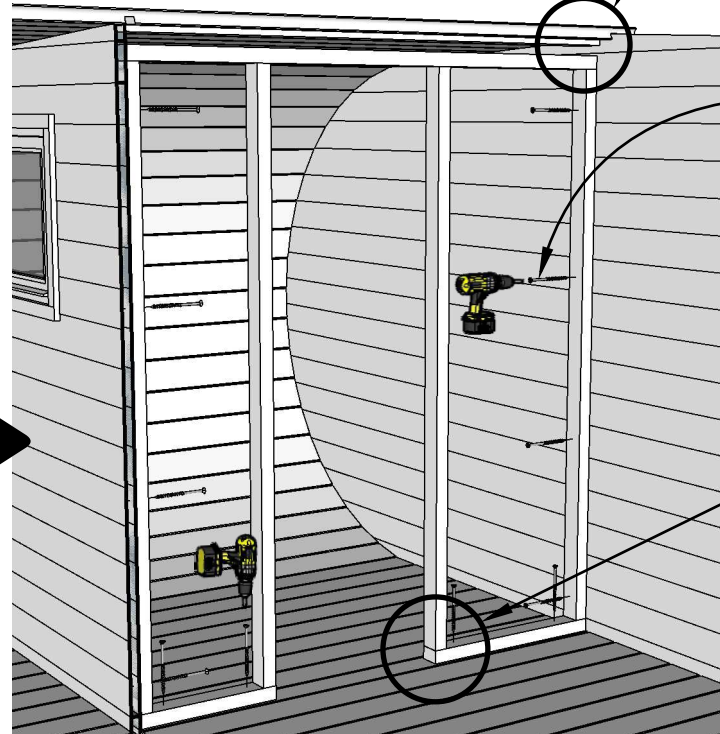


1x DET W4

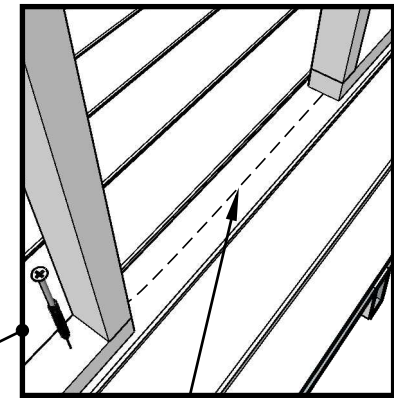
4x DET W3

1x DET W1

1x DET W2



12x H



Middle of DET 3 (sauna)

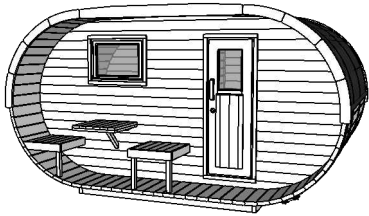
13. II

III

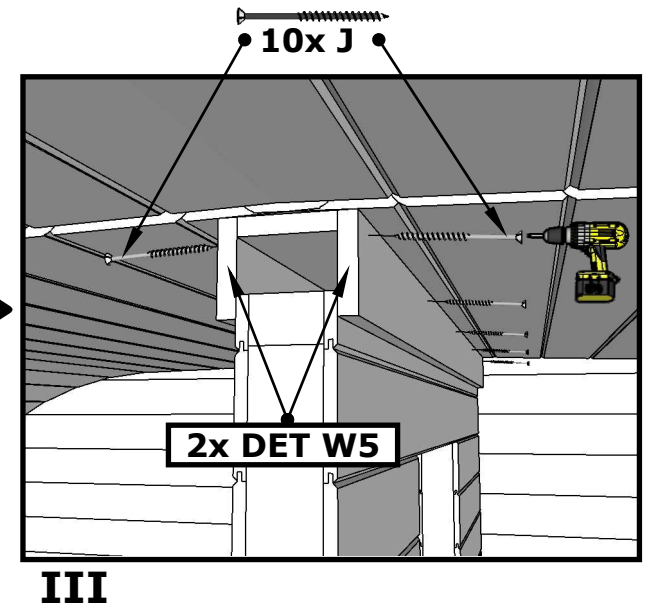
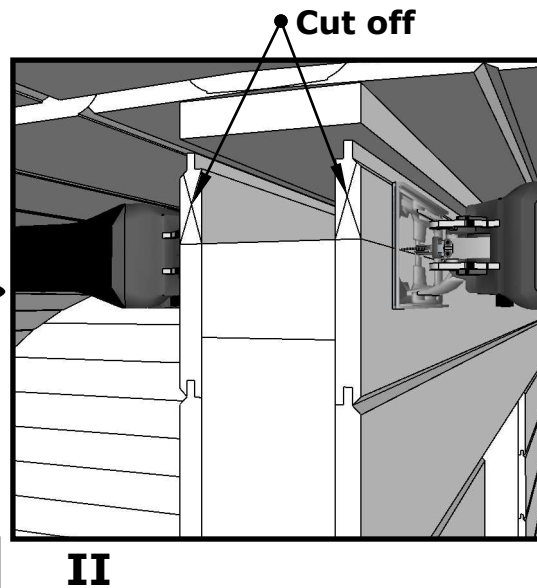
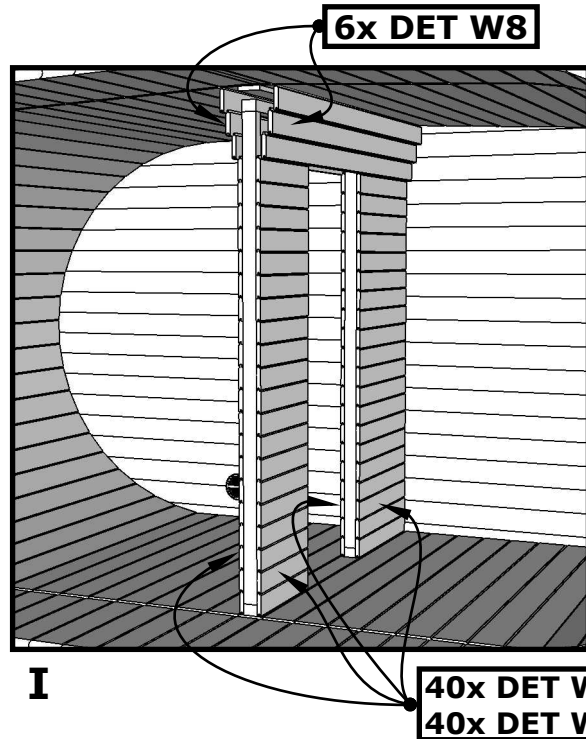
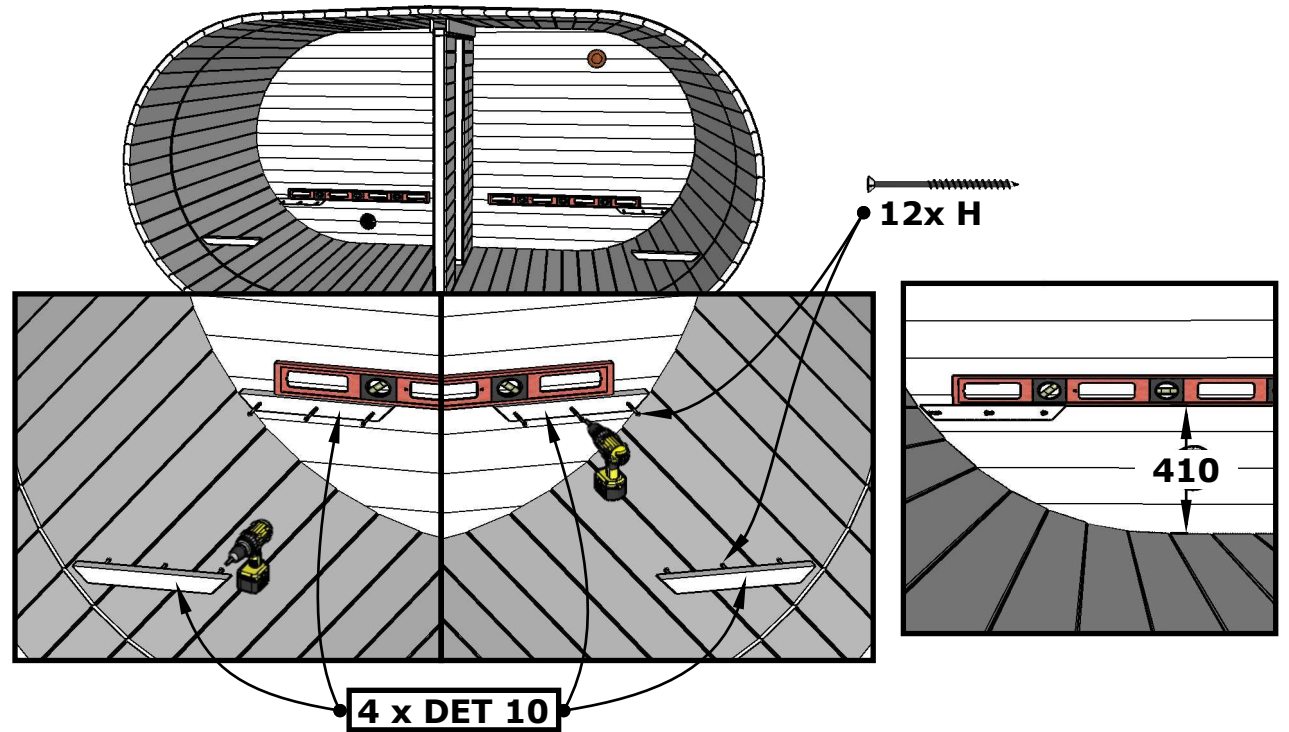
(TU 103)



# Sauna Oval 4 x 2,4

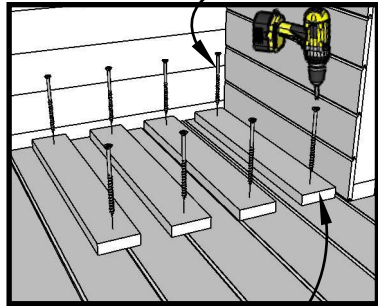
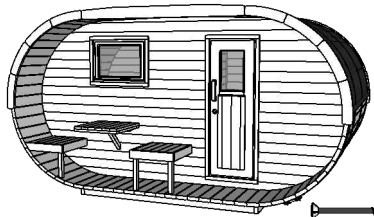


If Your saunaroom equipped with double decker or L-shape benches, please check extra pages for installation.



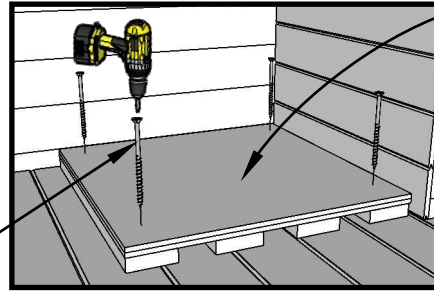
14.

# Sauna Oval 4 x 2,4

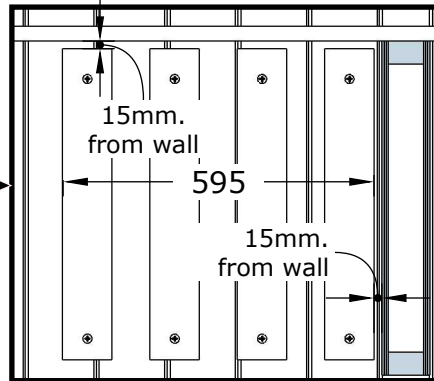


**II 4x DET 13**

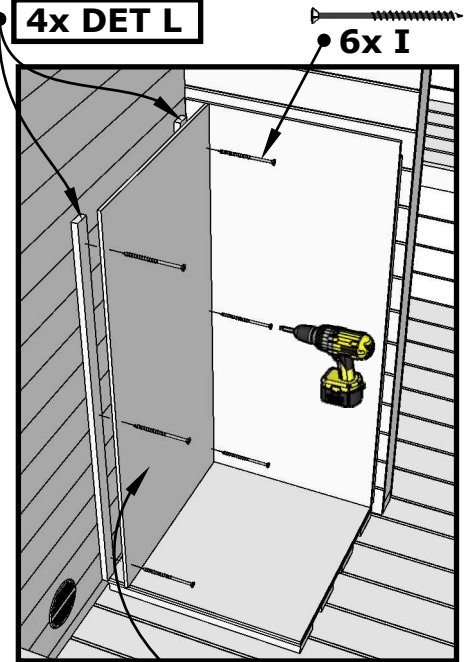
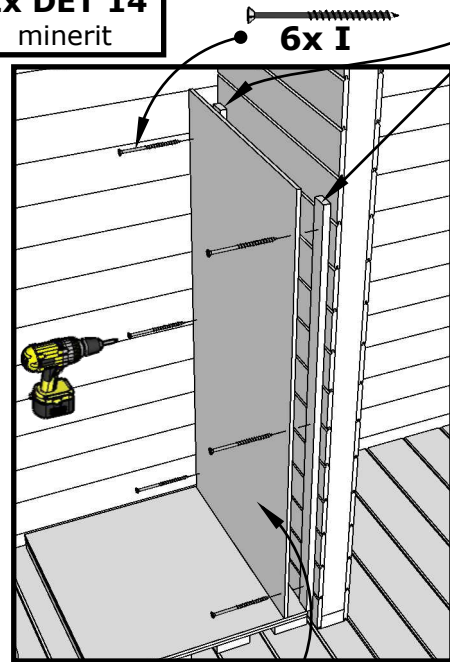
If Your saunaroom equipped with double decker or L-shape benches, please check extra pages for installation.



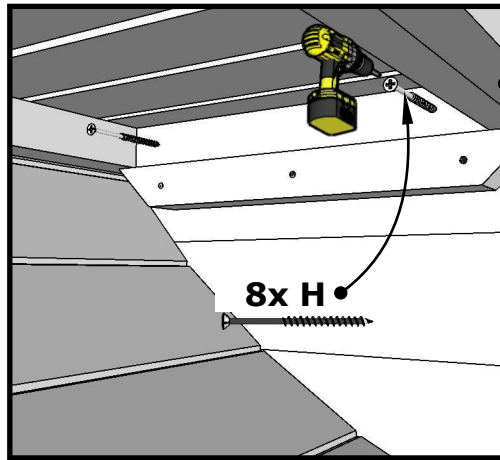
**2x DET 14  
minerit**



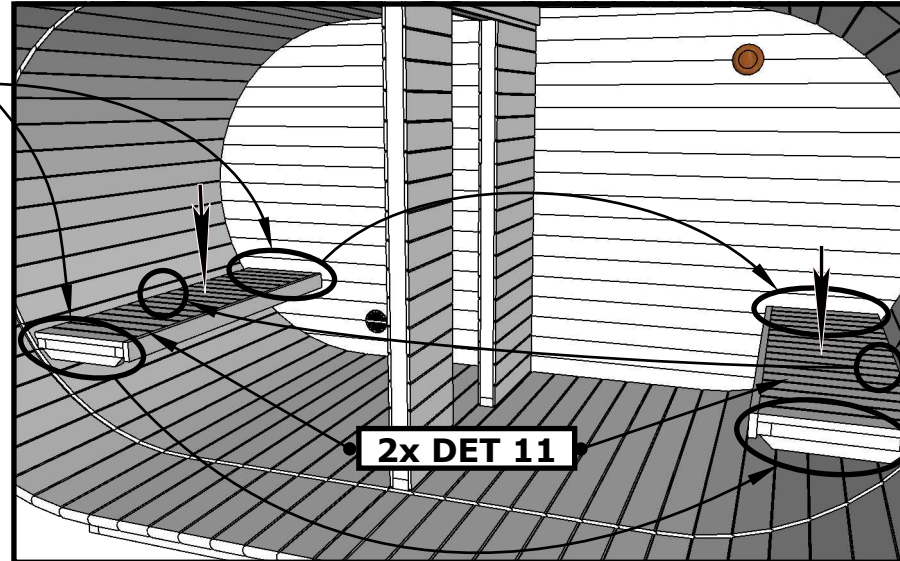
**III 1x DET 15  
(minerit)**



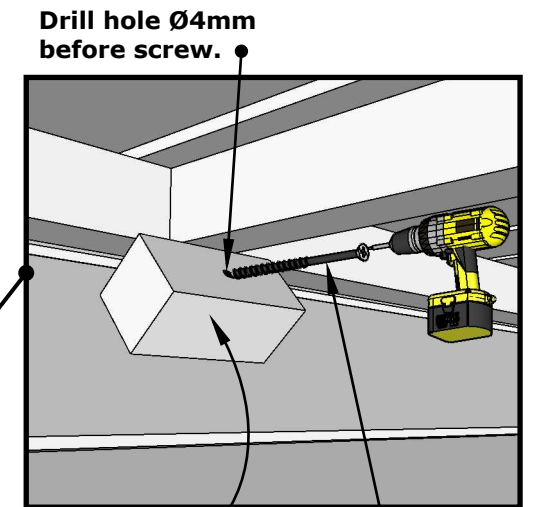
**IV 1x DET 15  
(minerit)**



**8x H**

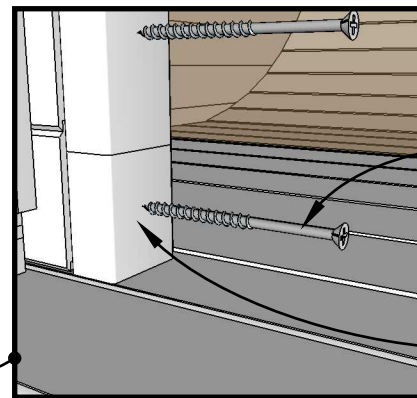
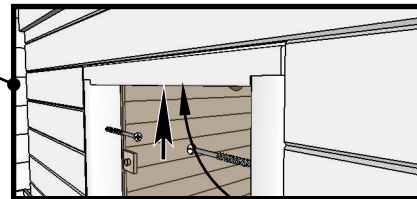
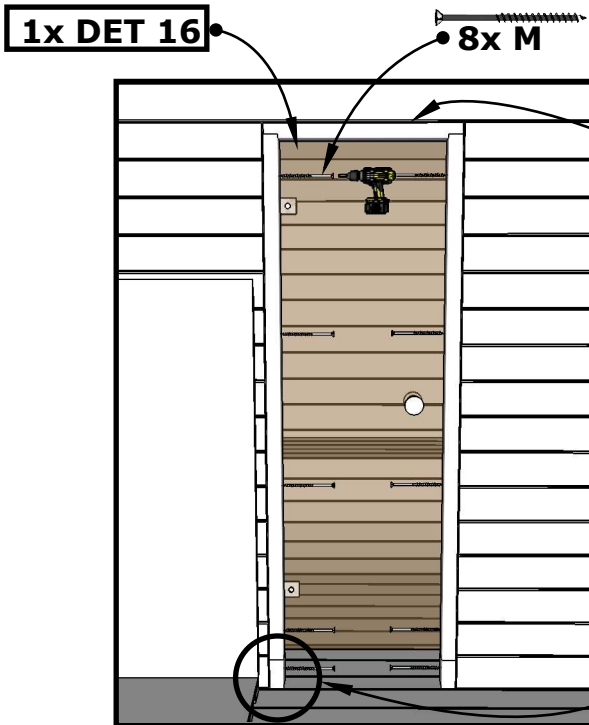
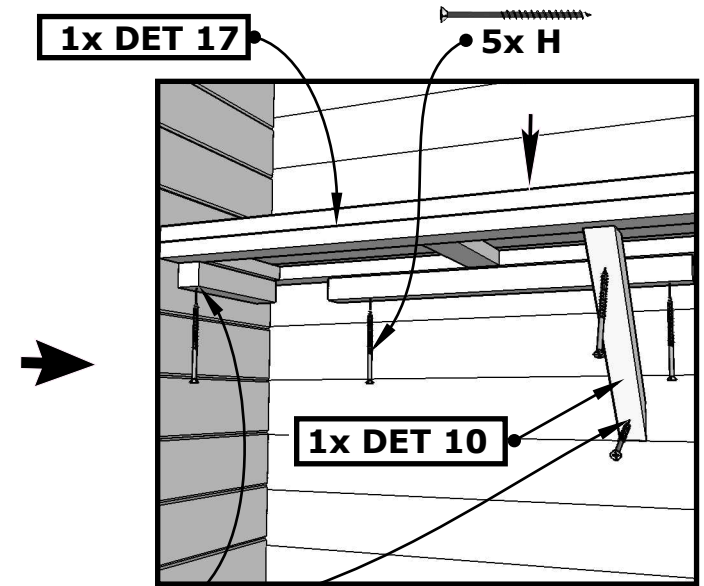
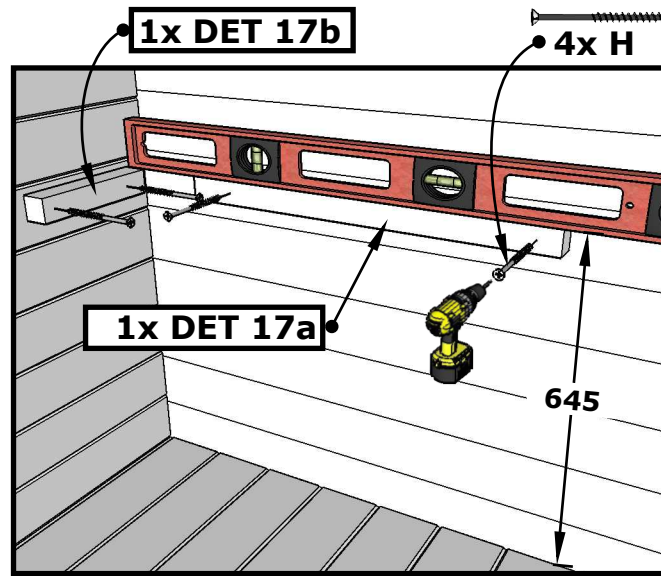
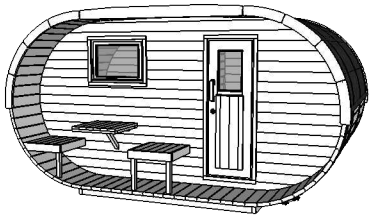


**2x DET 11**



**2x DET 12**      **2x H**

# Sauna Oval 4 x 2,4

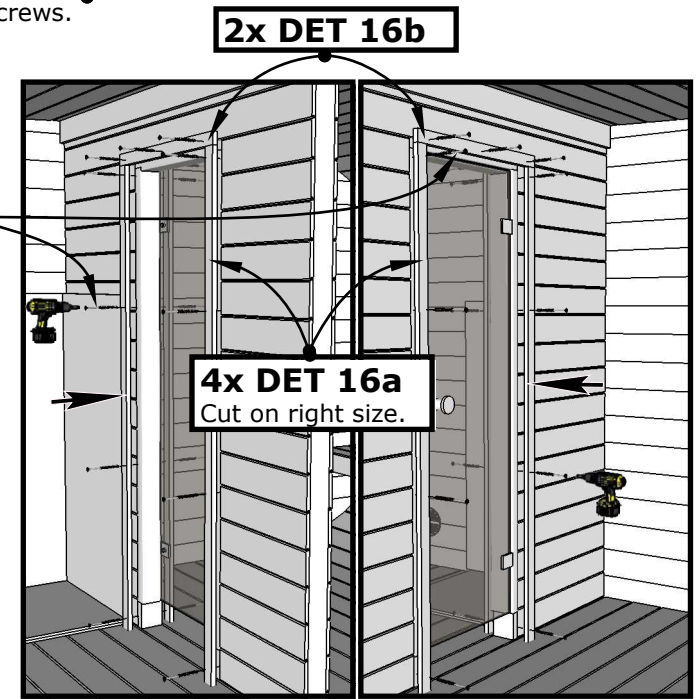


• 2x M  
Drill holes Ø4mm  
before screws.

• 2x DET 16c  
Cut on right size.

• 22x J

Drill holes Ø4mm  
before screws.

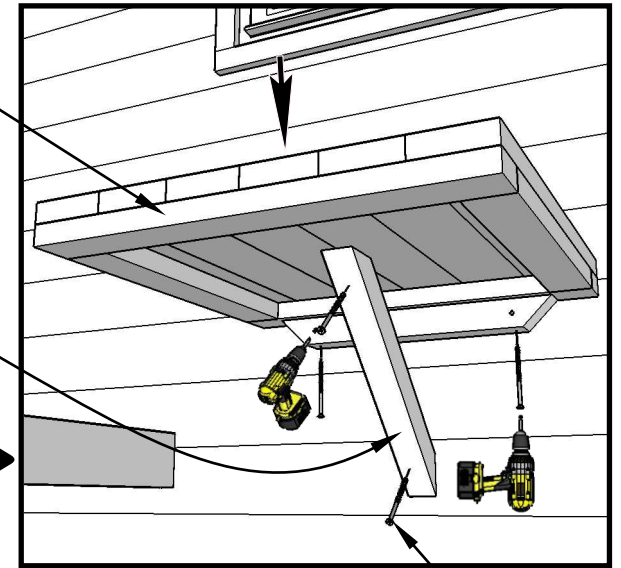
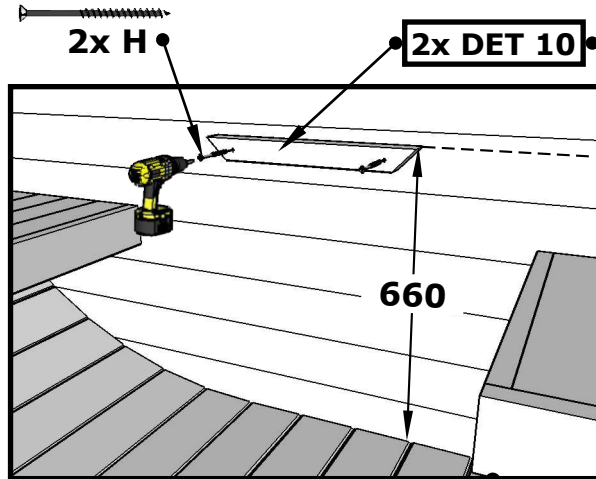
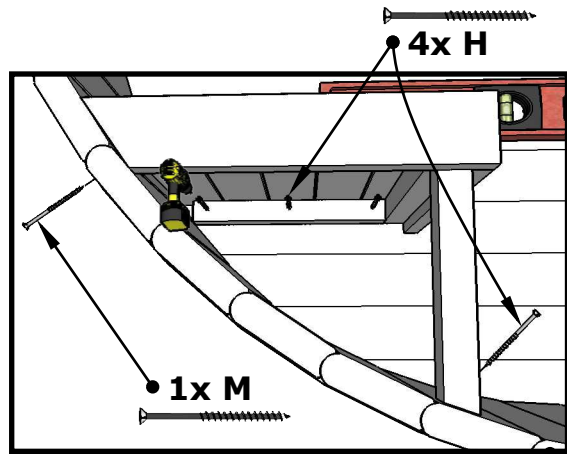
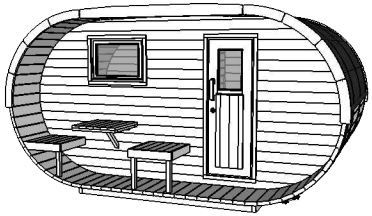


• 4x DET 16a  
Cut on right size.

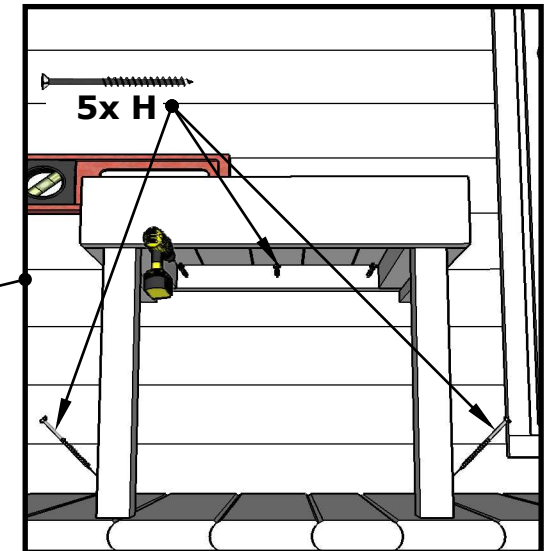
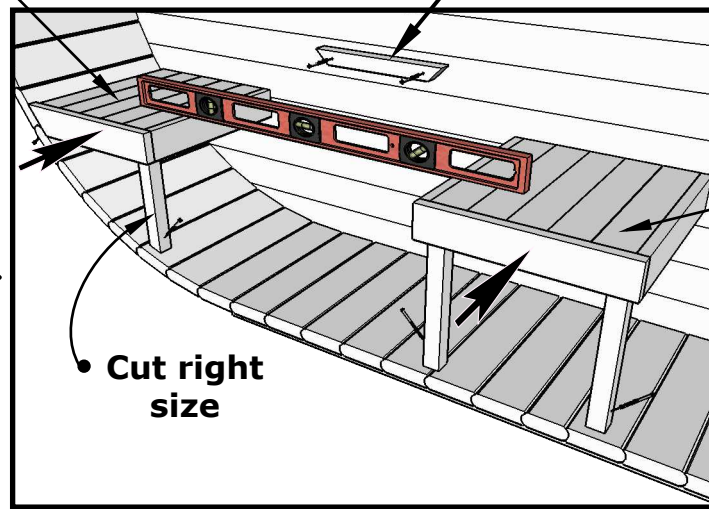
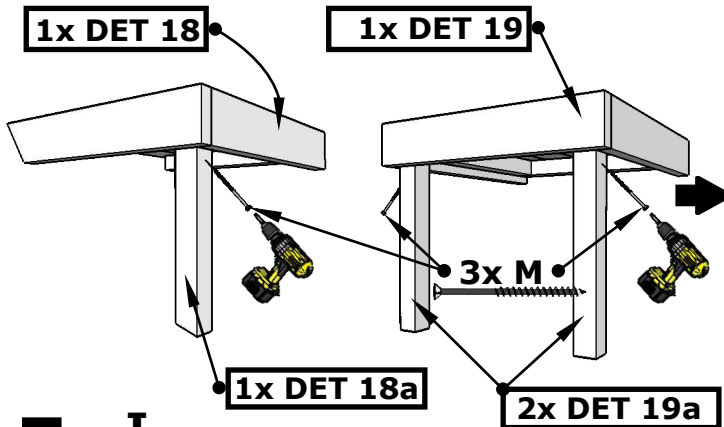
## 16. I

## II

# Sauna Oval 4 x 2,4



Drill holes Ø4mm before screws.

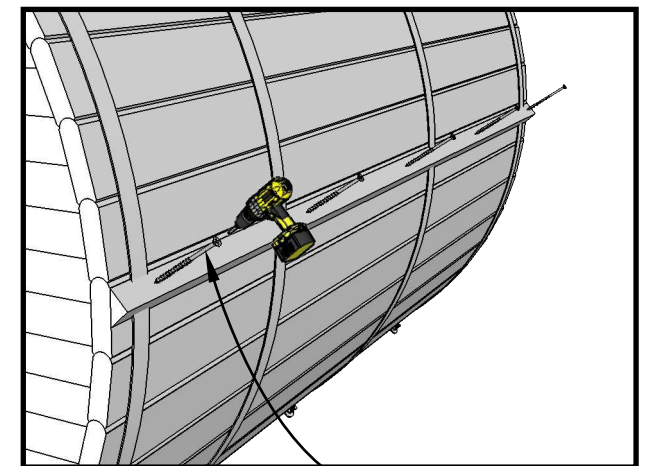
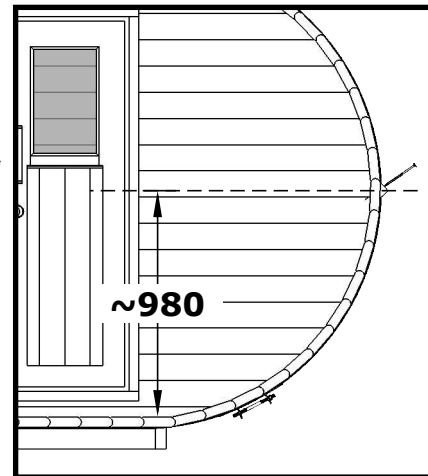
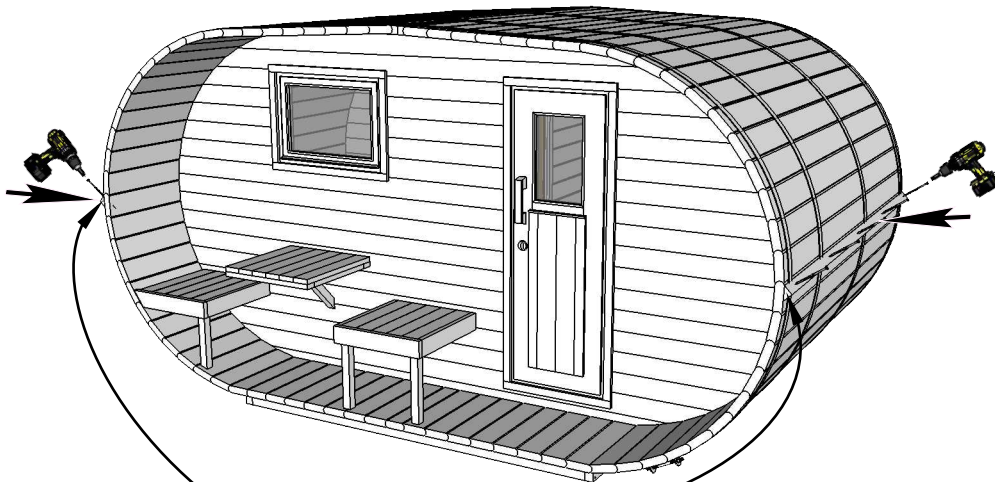
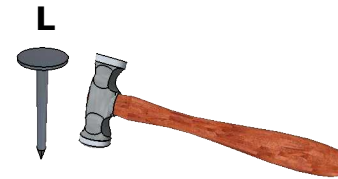
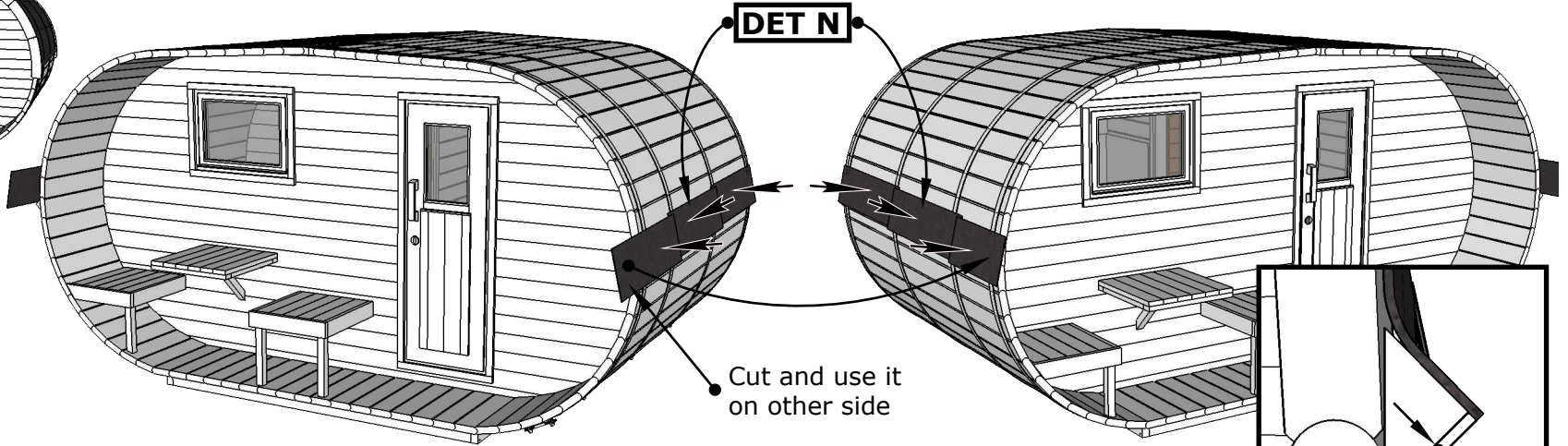


17. I

II

( TU 103 )

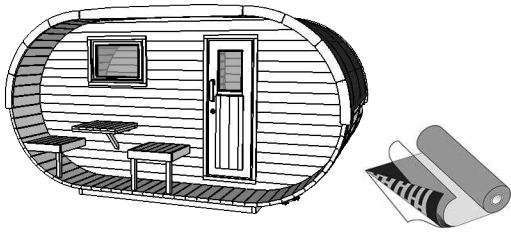
# Sauna Oval 4 x 2,4



18.

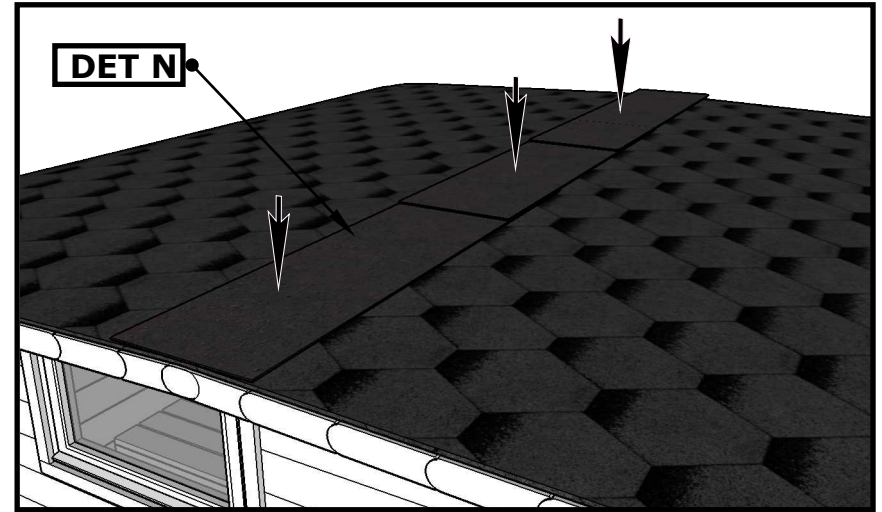
( TU 103 )

# Sauna Oval 4 x 2,4

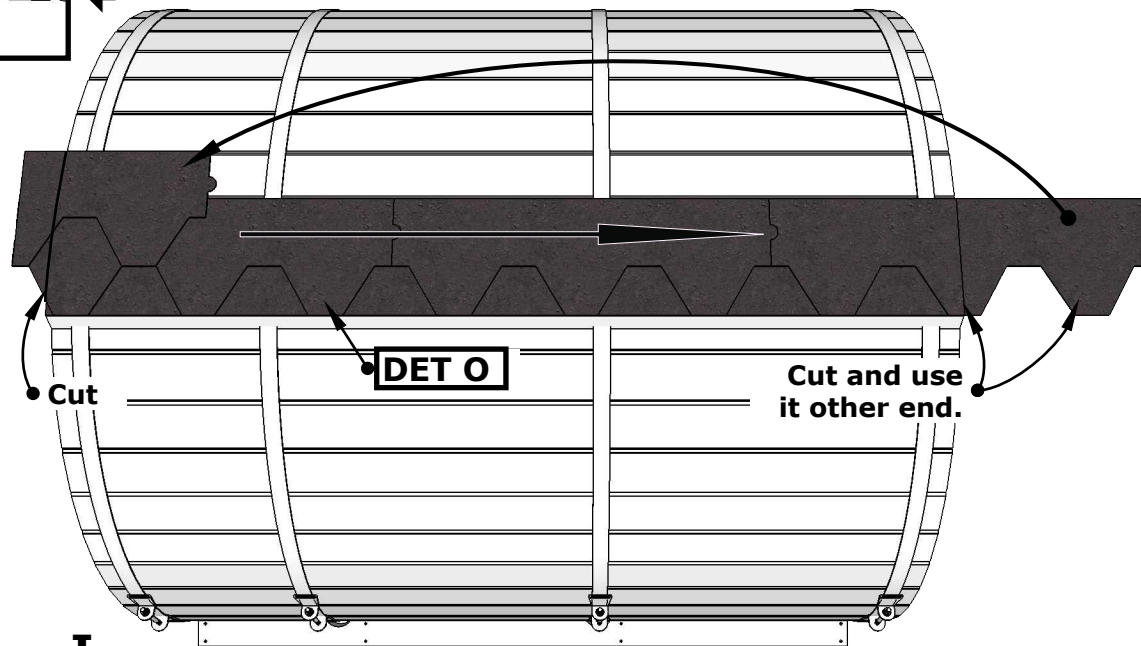


**NB! Before shingles installation, underlay sheet MUST be installed. Check extra pages for instructions!**

**NB! Check also shingles installation manual inside package.**

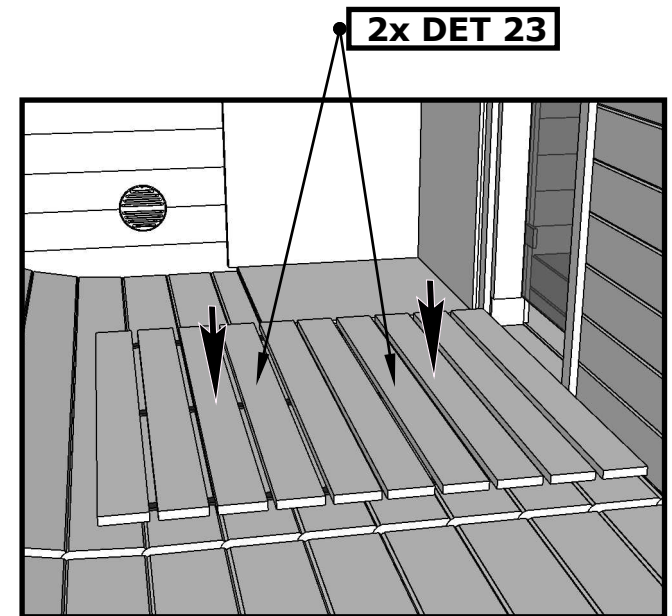
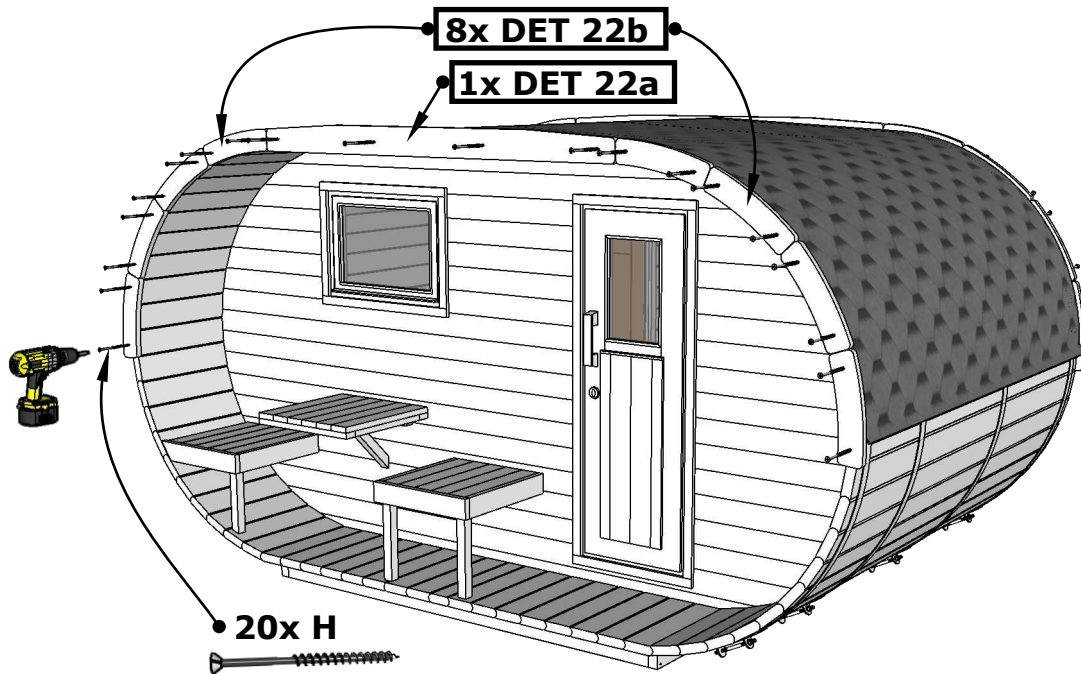
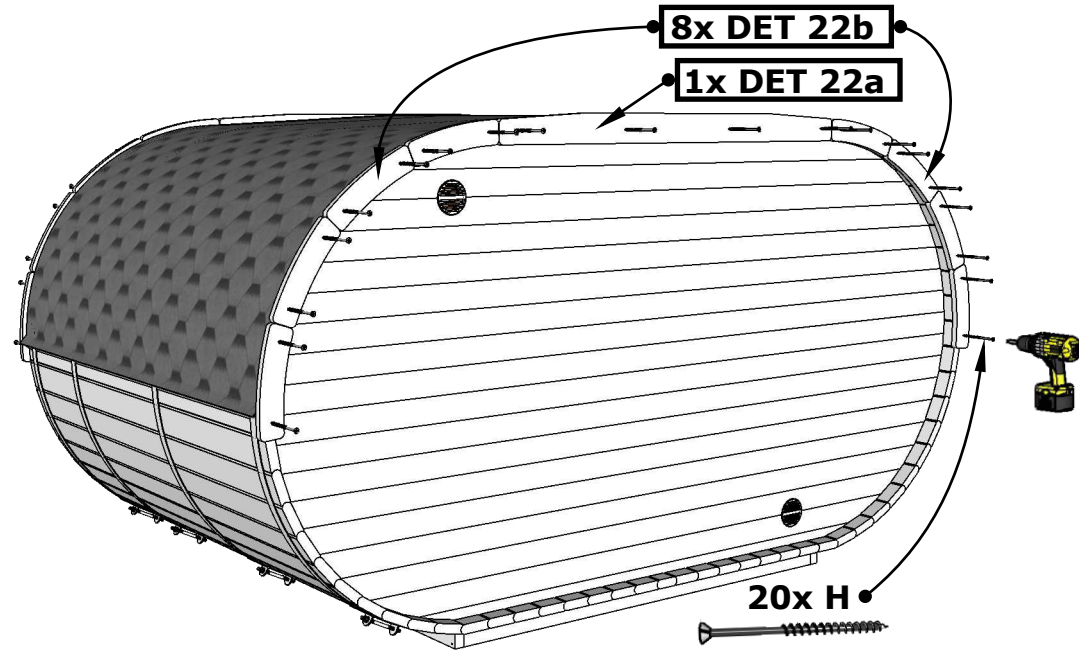
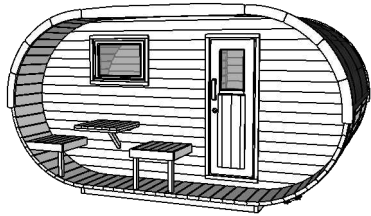


**II**

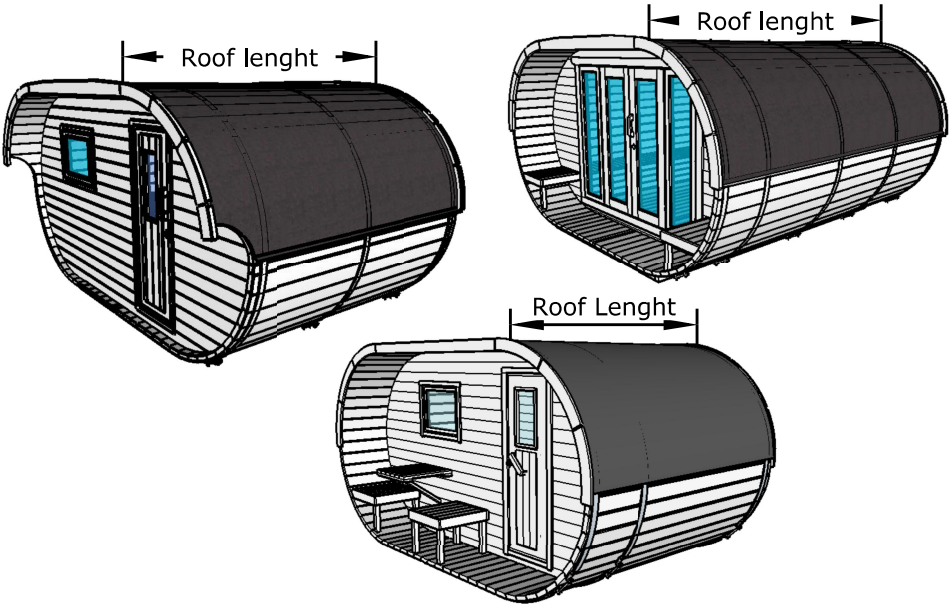


**I**

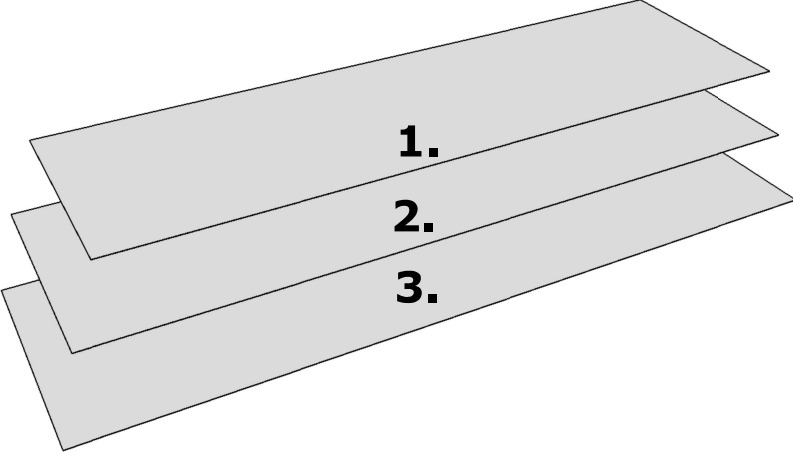
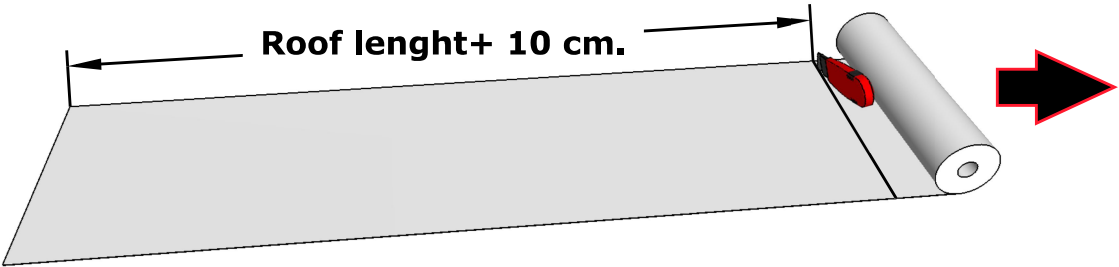
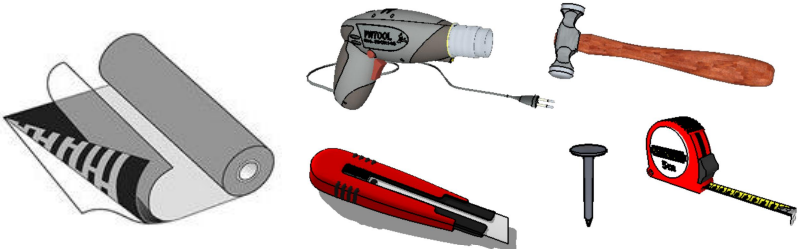
# Sauna Oval 4 x 2,4



# Self-adhesive UNDERLAY FELT INSTALLATION MANUAL.



The temperature during installation should be a minimum of +10°C. In colder conditions, a hot air gun should be used. **Hot bitumen or torching must not be used when installing the felt.**

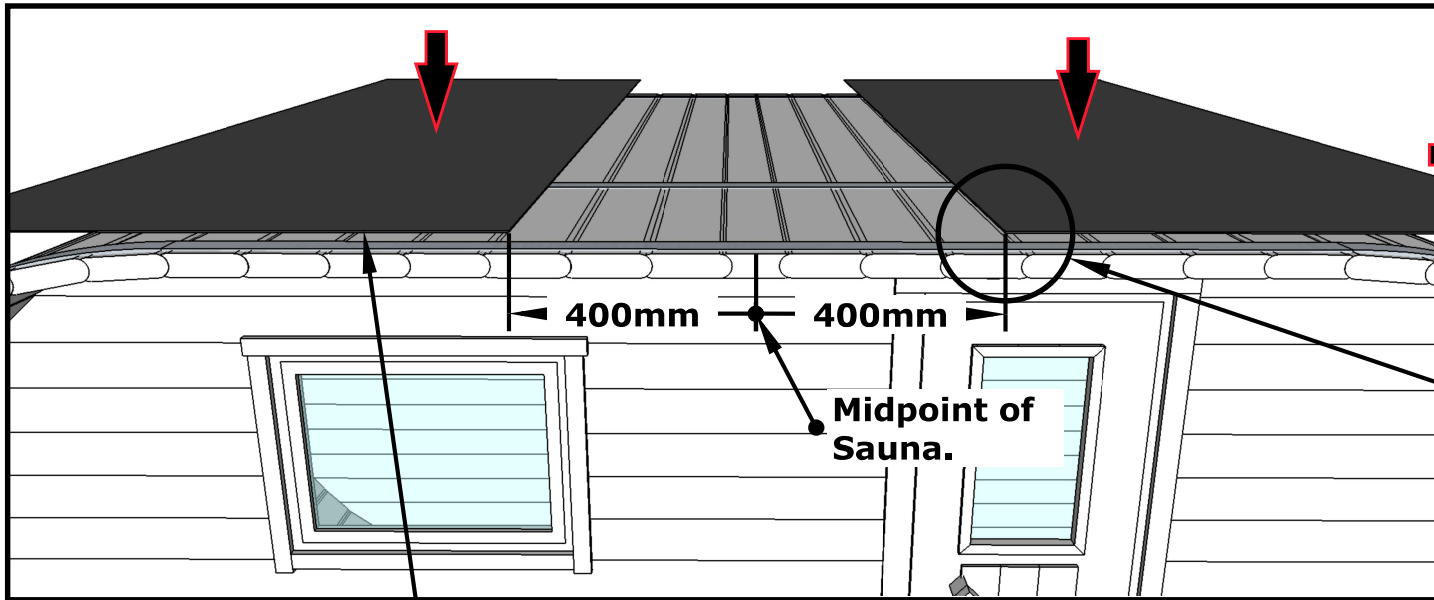


**1.**

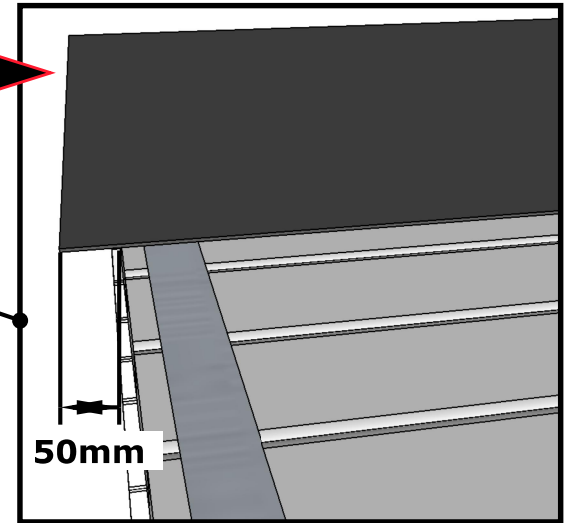
**I.**

**II.**





**I.**



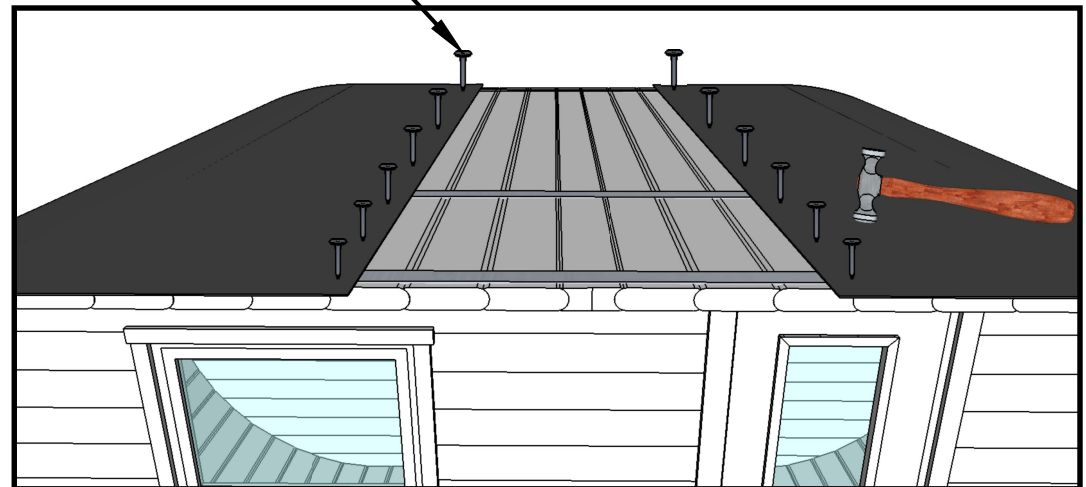
**II.**



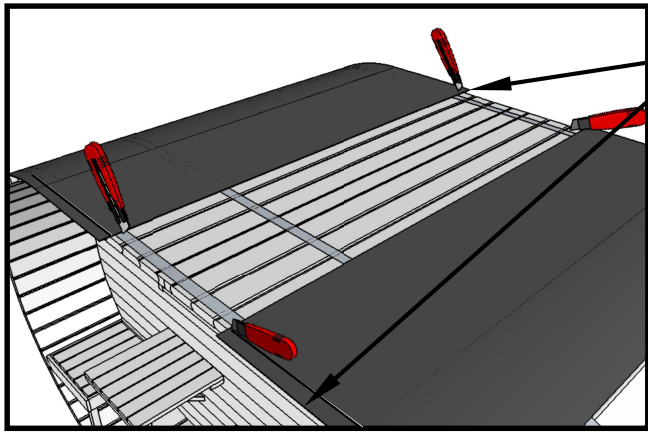
Before placing underlay felt, remove bottom film.

**2.**

Fix top side of underlay felt with clout nails every ~30 cm.



**III.**



**I.**

Remove top film.

Cut off the parts that extend over the edge of the roof.

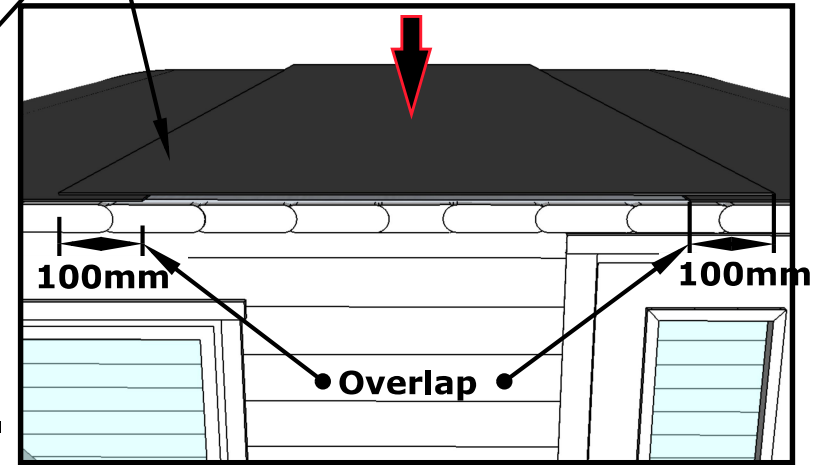


**II.**



**III.**

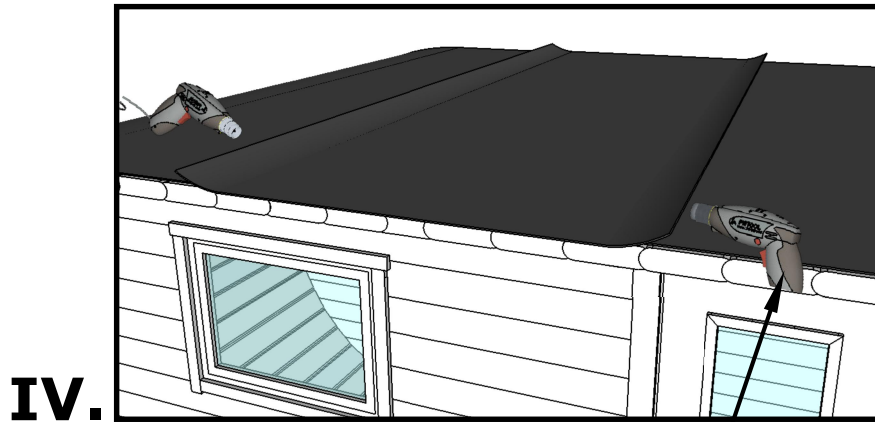
Before placing underlay felt, remove bottom film.



100mm

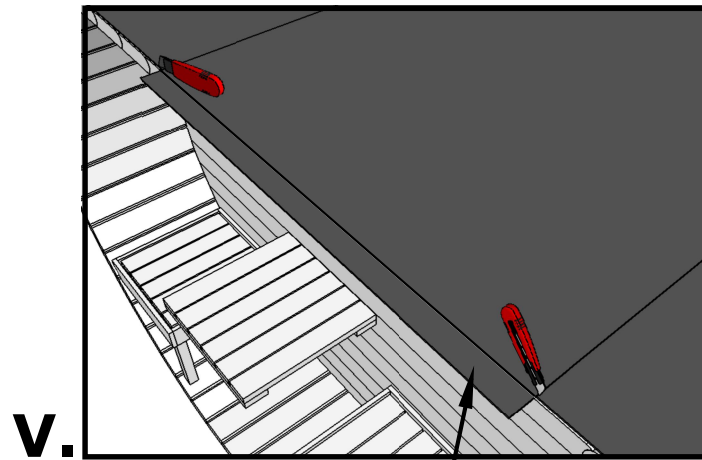
100mm

Overlap



**IV.**

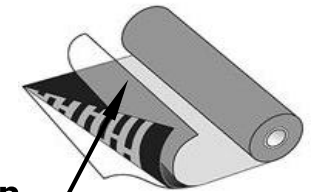
If necessary, use hot air gun to seal overlaps. Do not use torching!!! Do not use nails !!!



**V.**

Cut off the parts that extend over the edge of the roof.

Remove top film.



**VI.**

**3.**